



TECHNICAL INFORMATION

OCTANORM CLEANROOM SYSTEMS

ELECTRONIC AND SEMICONDUCTOR

Ceiling systems up to 100kg/m²

Ceiling system ED1 without lighting

Ceiling system ED1 with lighting

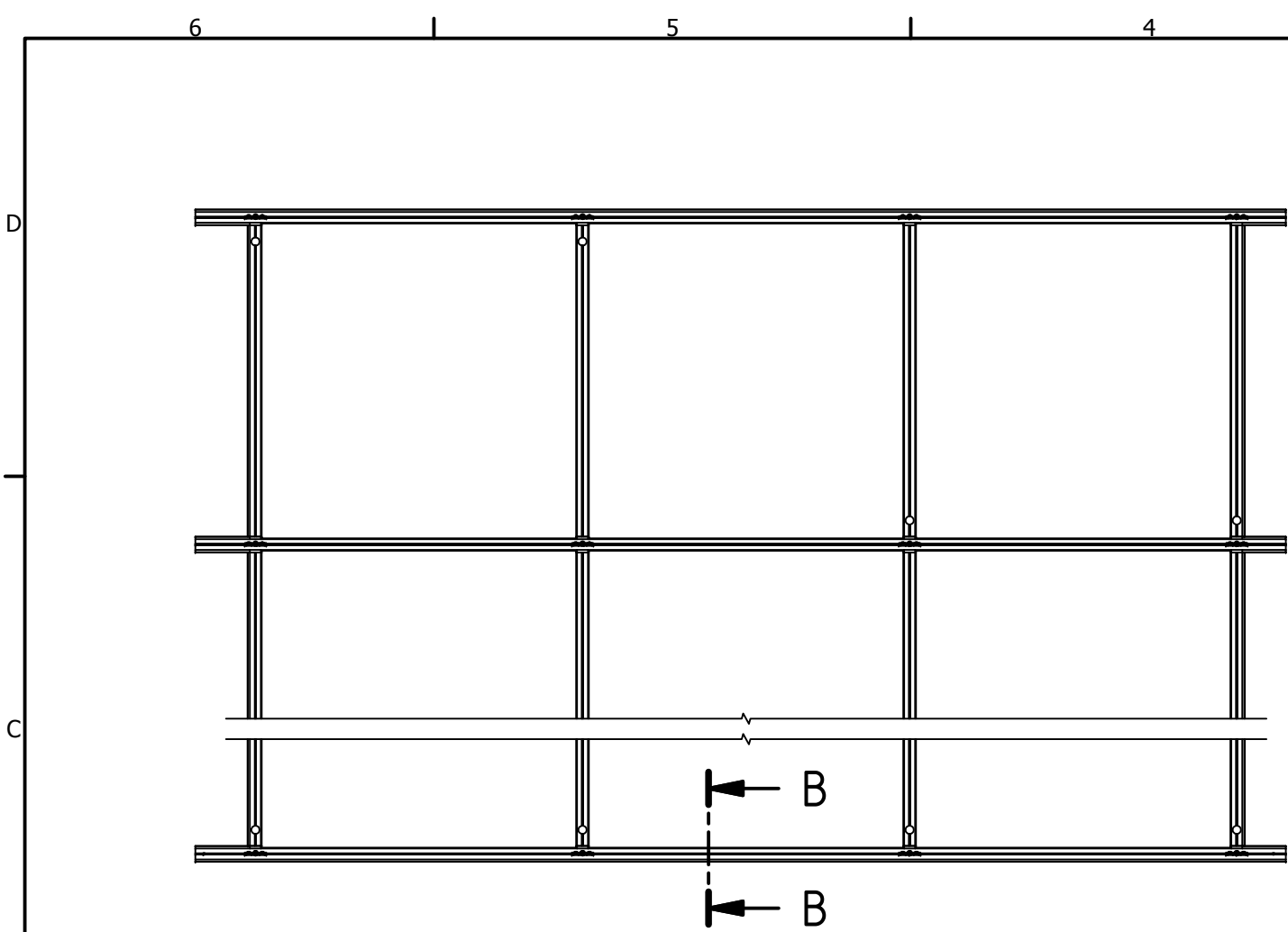


TECHNICAL DATA SHEET

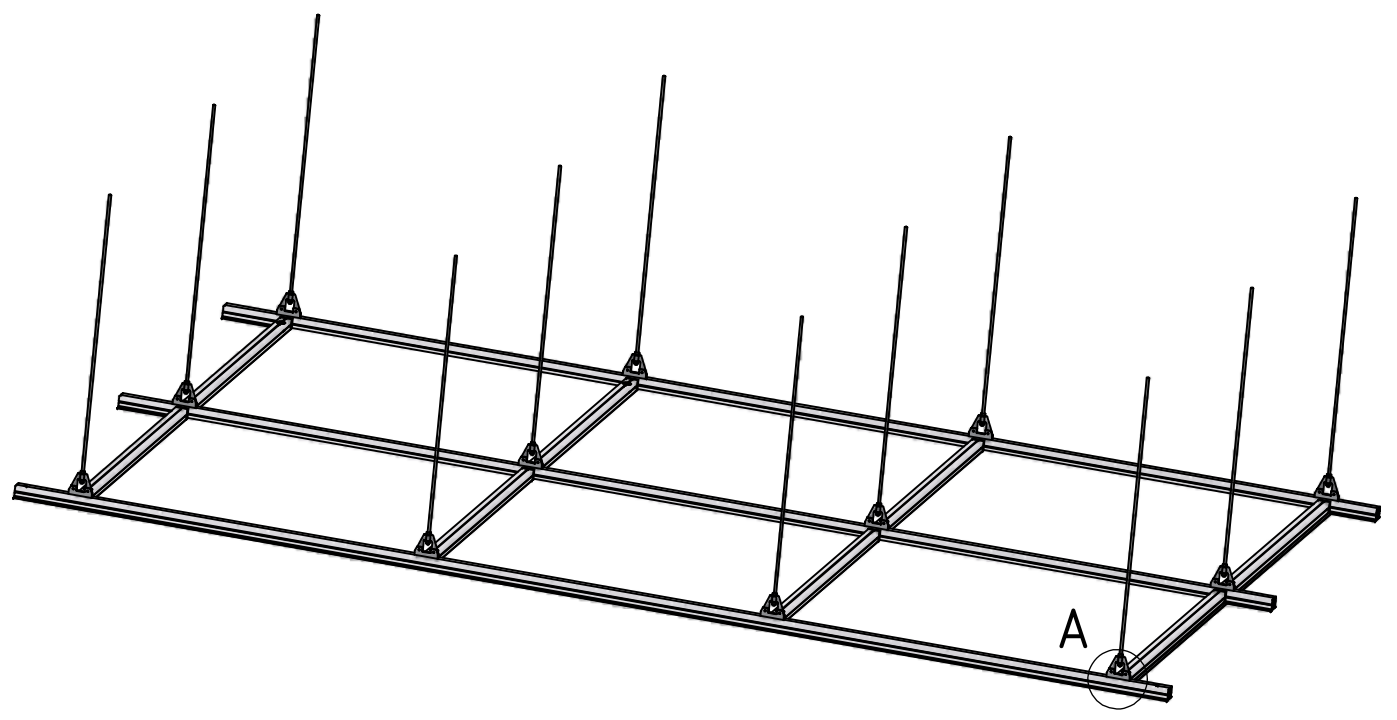
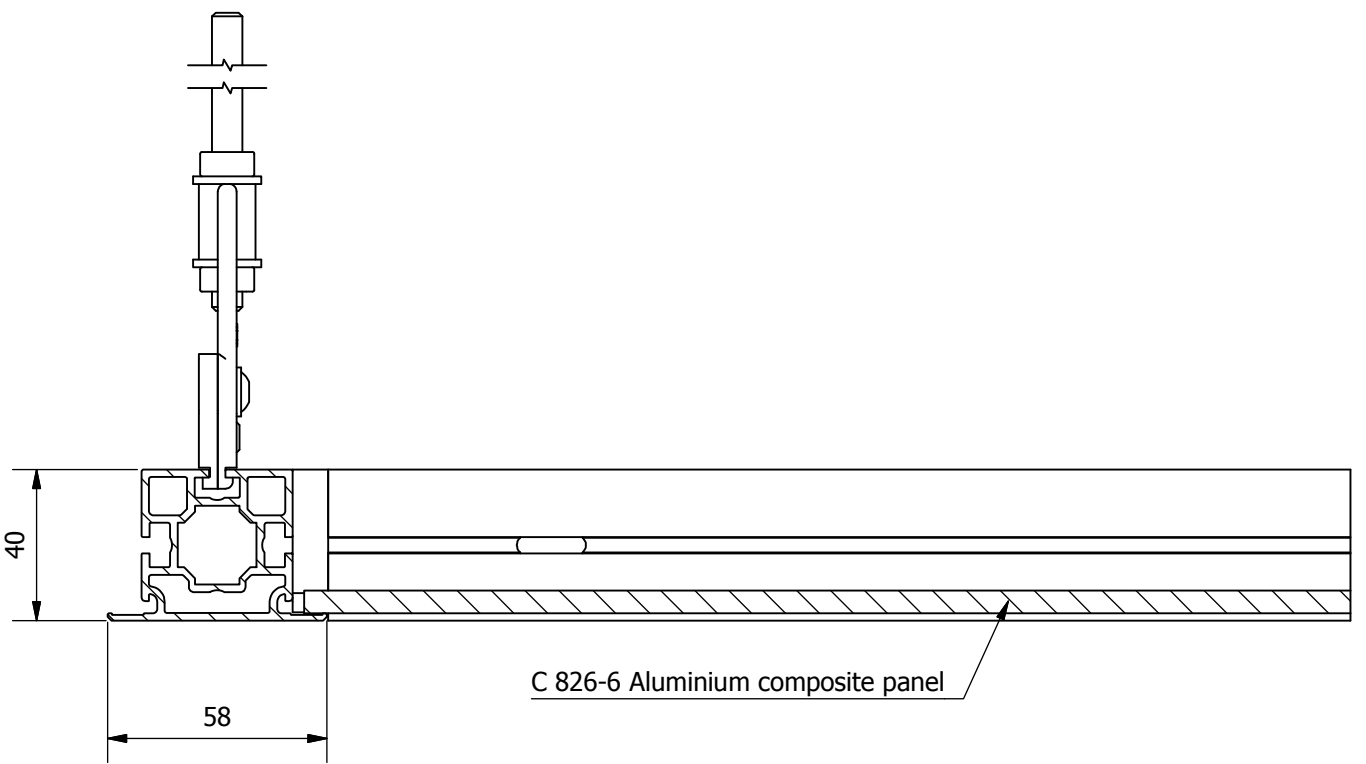
CEILING SYSTEM ED1

Ceiling system with inlaid ceiling panels
Grid ceiling

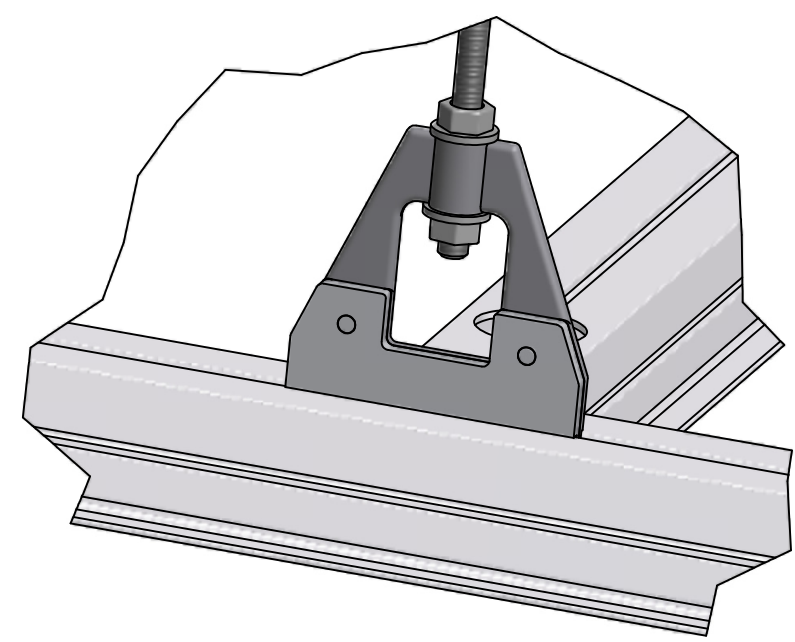
Surface of beam / extrusion	Aluminium, anodized, E6 EV1
Lighting	No
Filling	none
Panels	Steel sheet cassette, Aluminium composite panel
Walkable	Yes
Standard grid	600 × 1200 mm or 1200 × 1200 mm
Standard color	RAL 9010




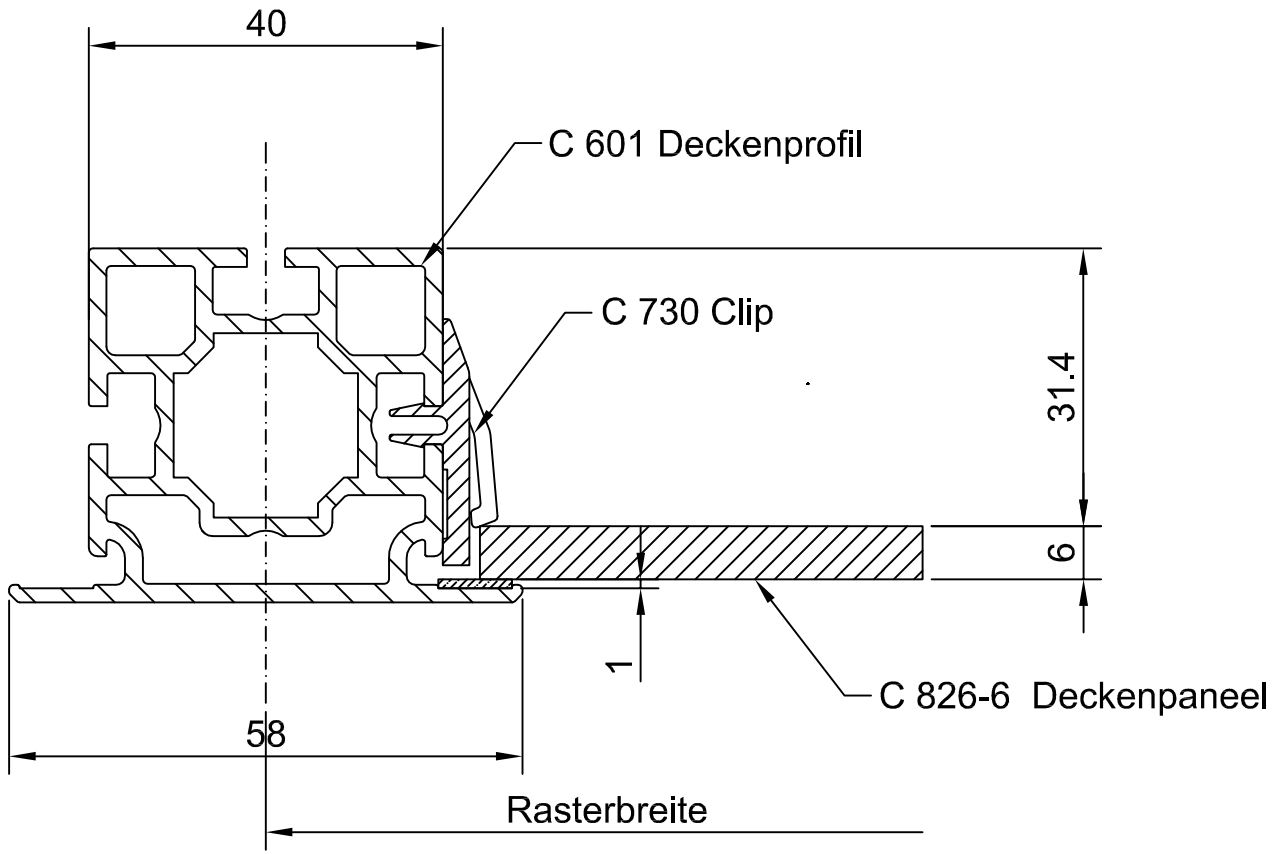
B-B (1 : 2)



A (1 : 2)



Alle Toleranzen nach DIN ISO 2768 mittel				Material		
This drawing is our literary property and may neither copied nor to be exposed approachable to third persons without our agreement; according to German Copyright Act						
				Datum	Name	Bezeichnung: Ceiling system DE 2 with aluminium composite panel
				Gezeichnet	04.07.2014 jk	
				Kontrolliert		
				Norm		Z-Nr:VRS_ED1_20_0000
				Projekt Nr.		
Status	Änderungen	Datum	Name			1 A3



Alle Toleranzen nach DIN ISO 2768 mittel

This drawing is our literary property and may neither copied nor to be exposed approachable to third persons without our agreement; according to German Copyright Act

Material



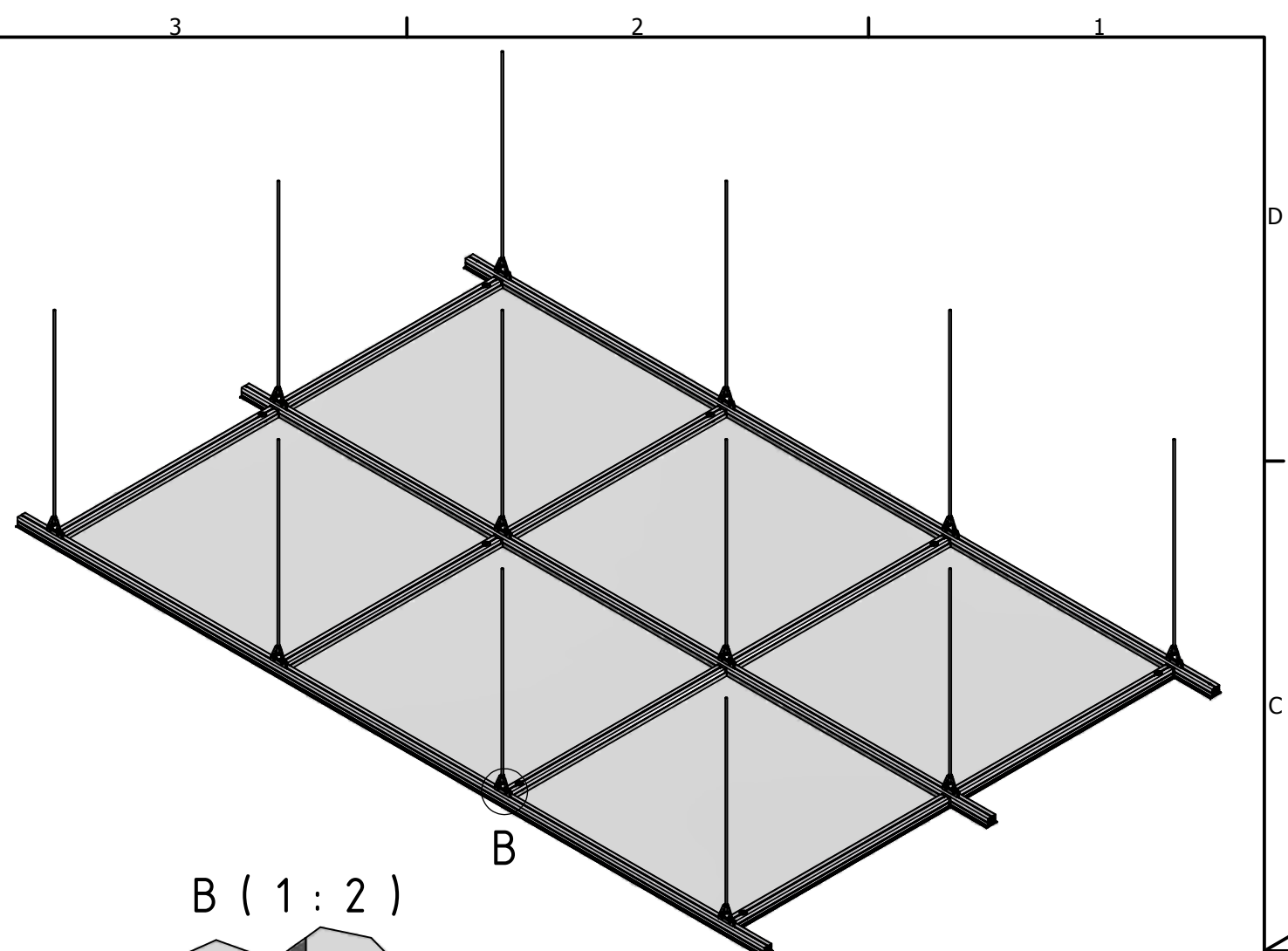
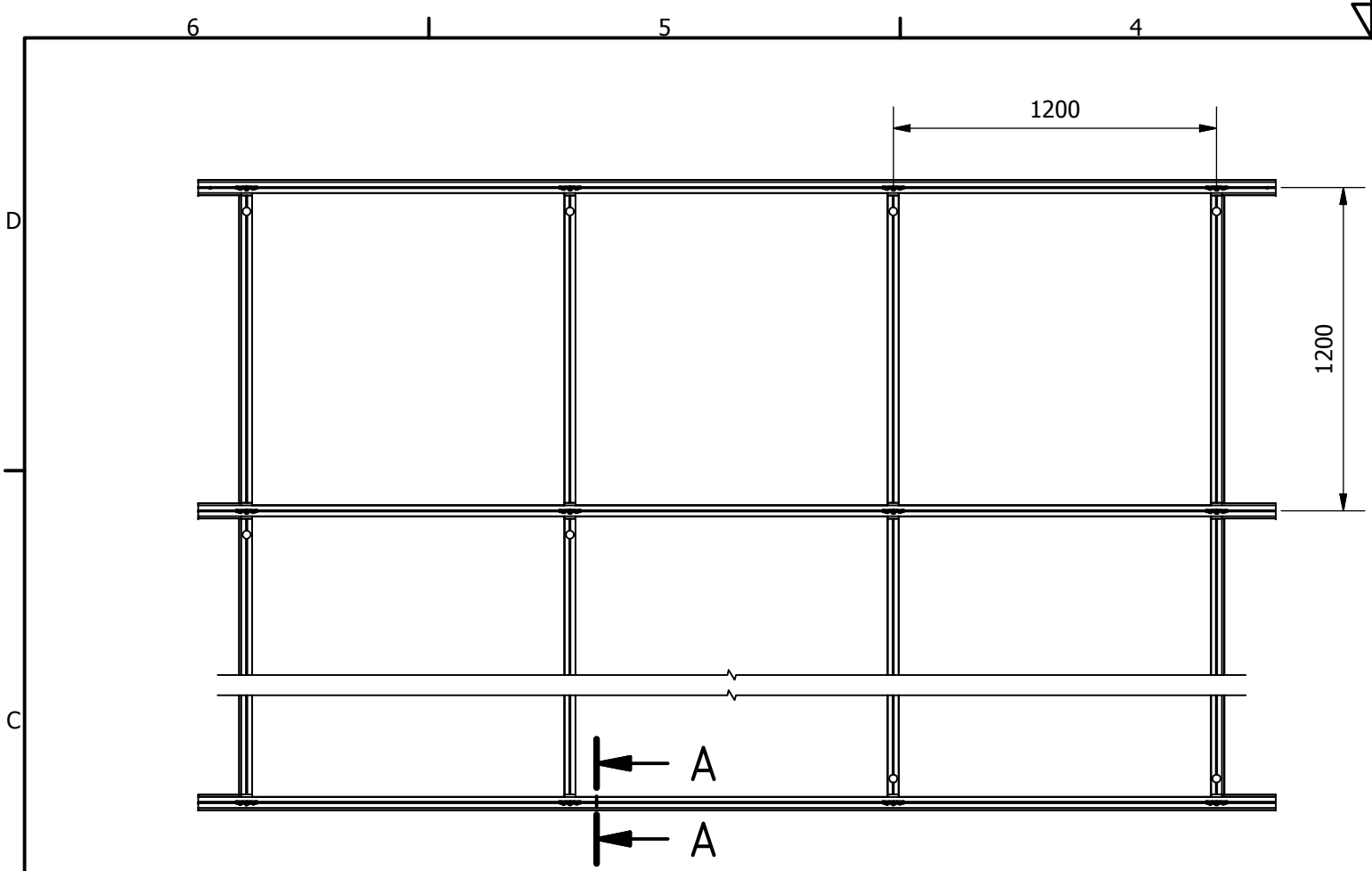
				Datum	Name
				Gezeichnet 07.10.2014	jk
				Kontrolliert	
				Norm	

Bezeichnung:
Einbau C 826-6 in ED1-Decke
Installation C 826-6 in ED1-ceiling

				Projekt Nr.	
Status	Änderungen	Datum	Name		

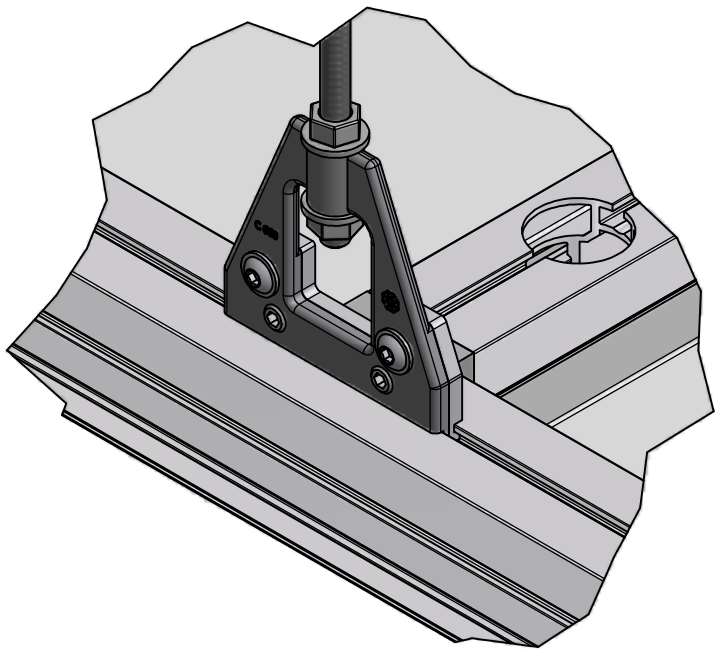
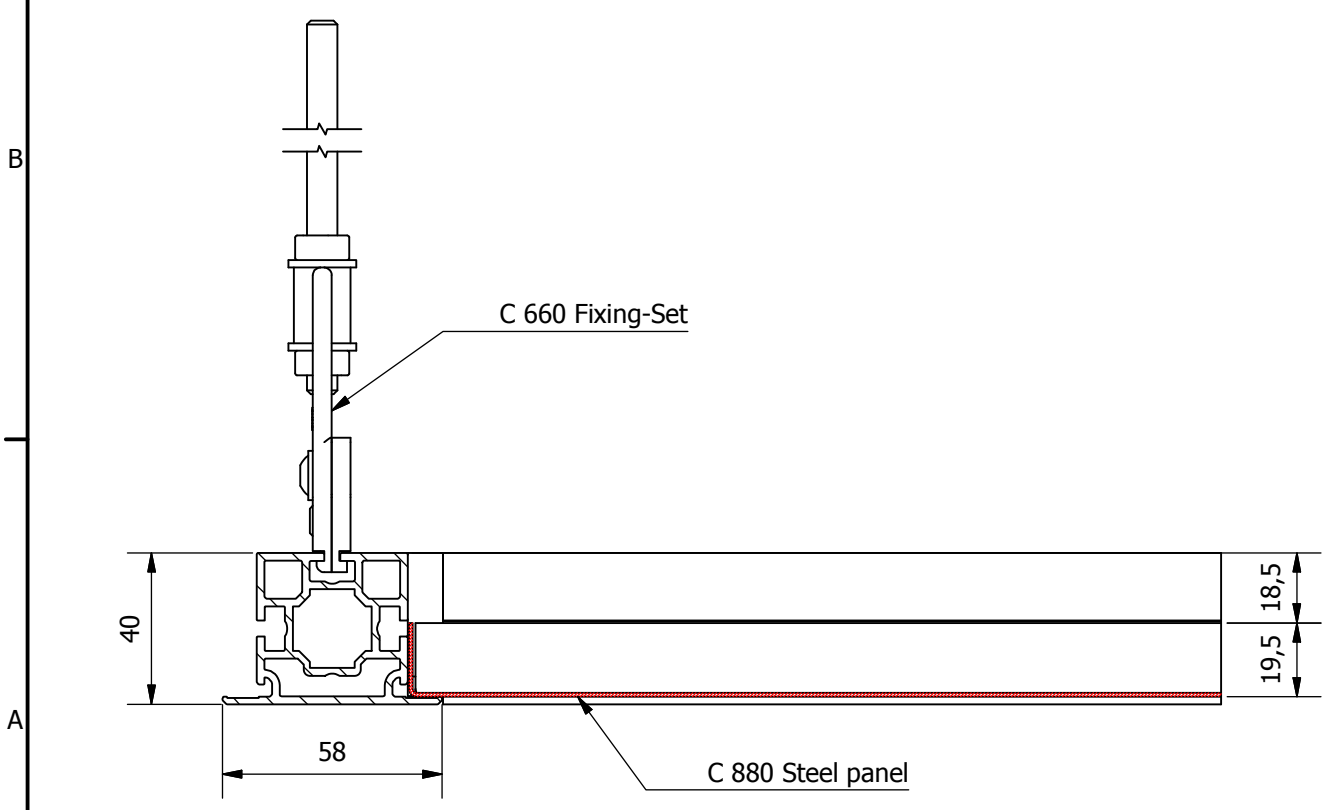
Z-Nr: VRS_ED1_21_0001


1
A4

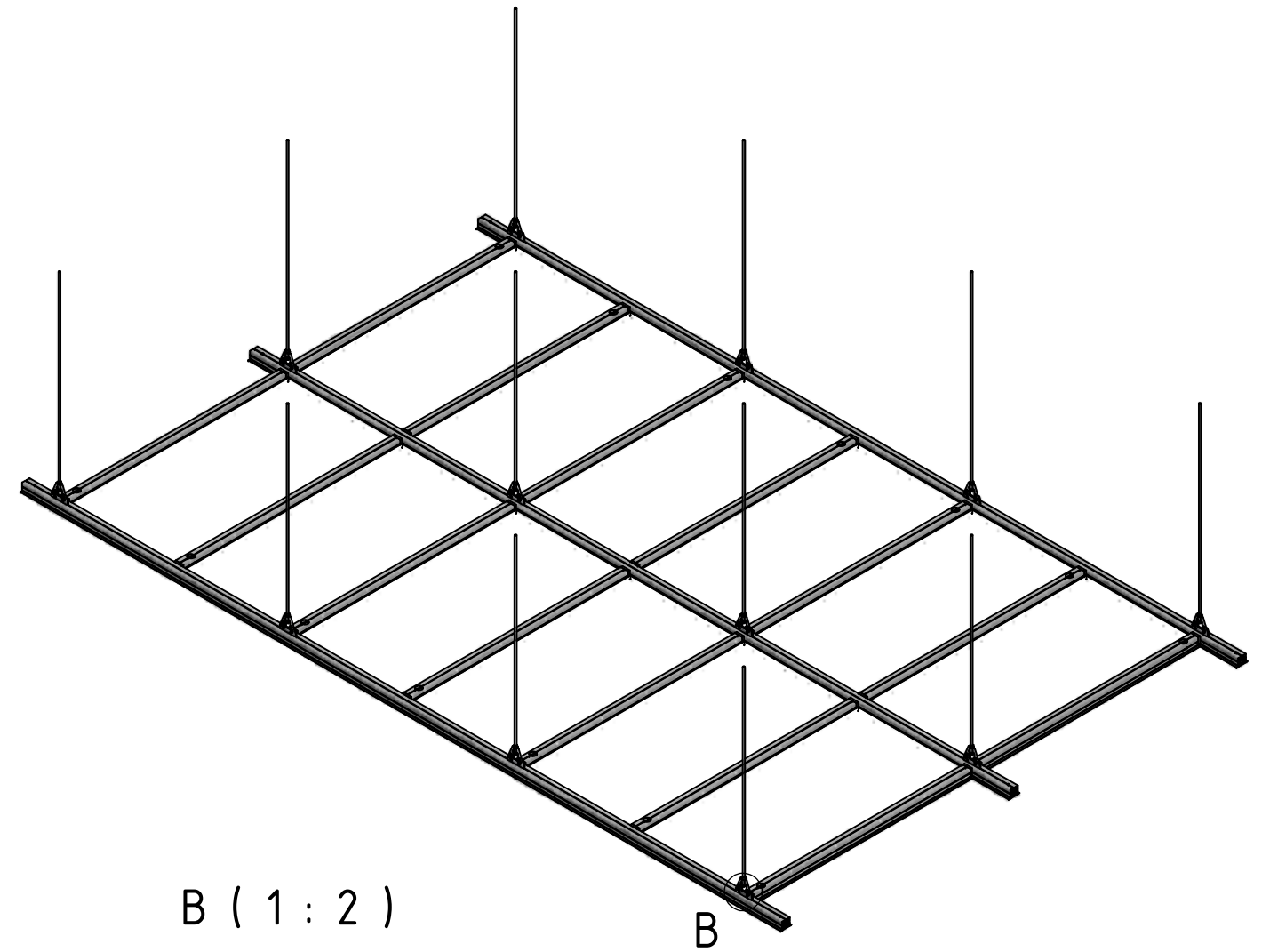
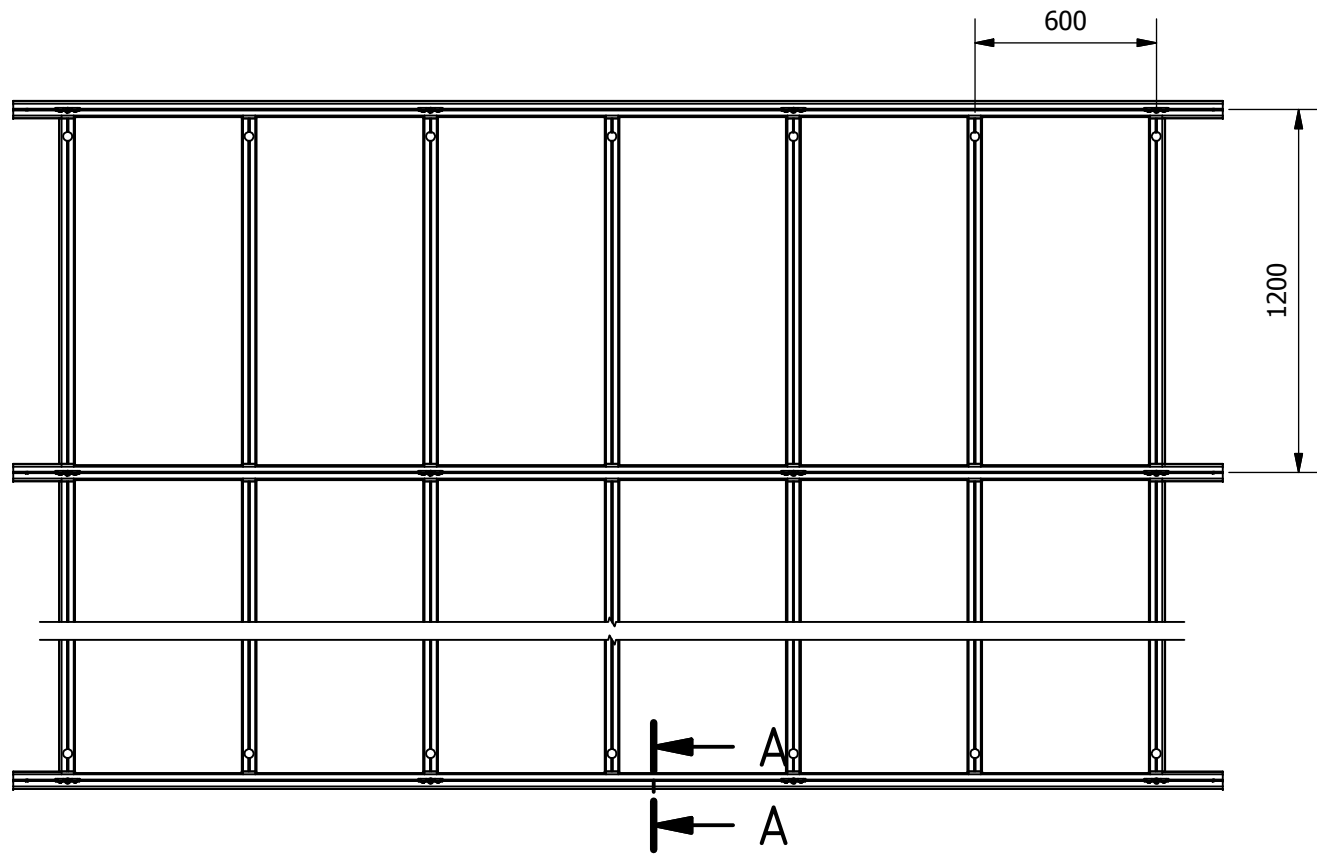


A-A (1 : 2)

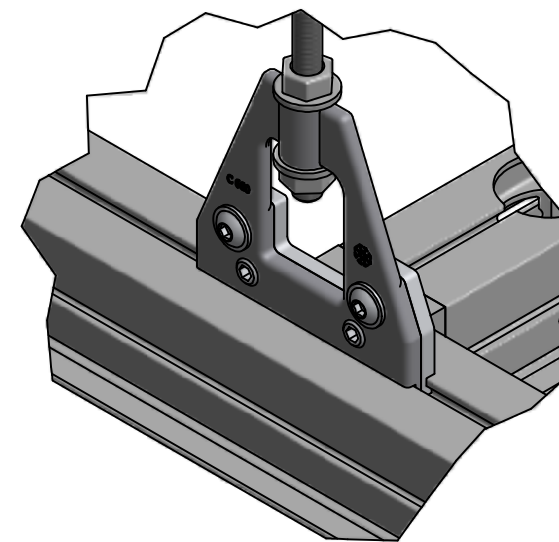
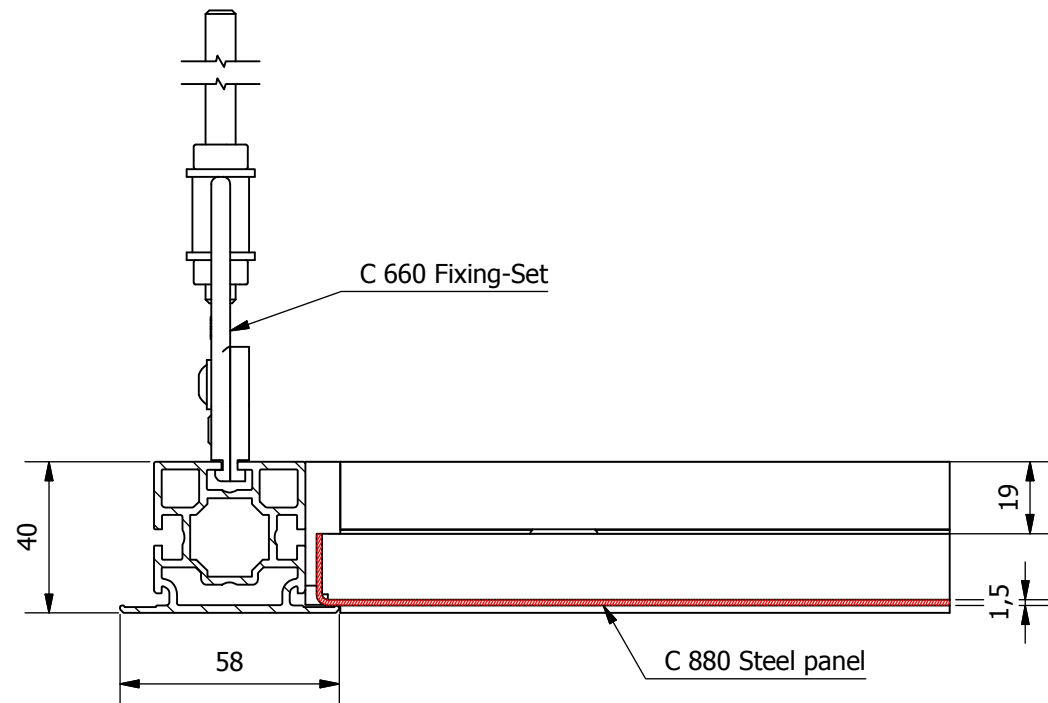
B (1 : 2)




Alle Toleranzen nach DIN ISO 2768 mittel				Material		
This drawing is our literary property and may neither copied nor to be exposed approachable to third persons without our agreement; according to German Copyright Act				Datum	Name	
				Gezeichnet	10.07.2014	jk
				Kontrolliert		
				Norm		
				Projekt Nr.		Bezeichnung: Ceiling system DE 2 with steel panel C 880 Z-Nr:VRS_ED1_20_0004
Status	Änderungen	Datum	Name			1 A3

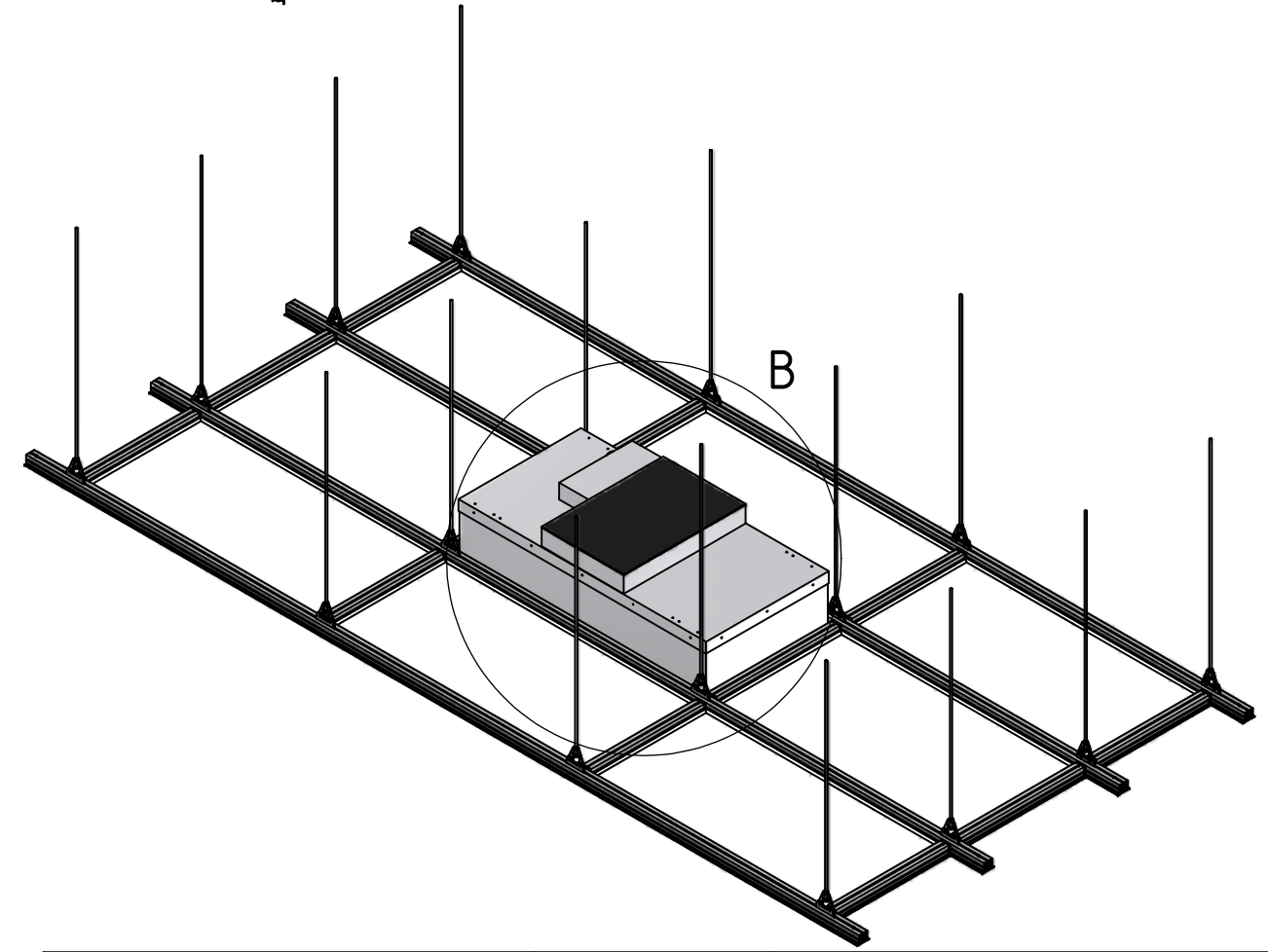
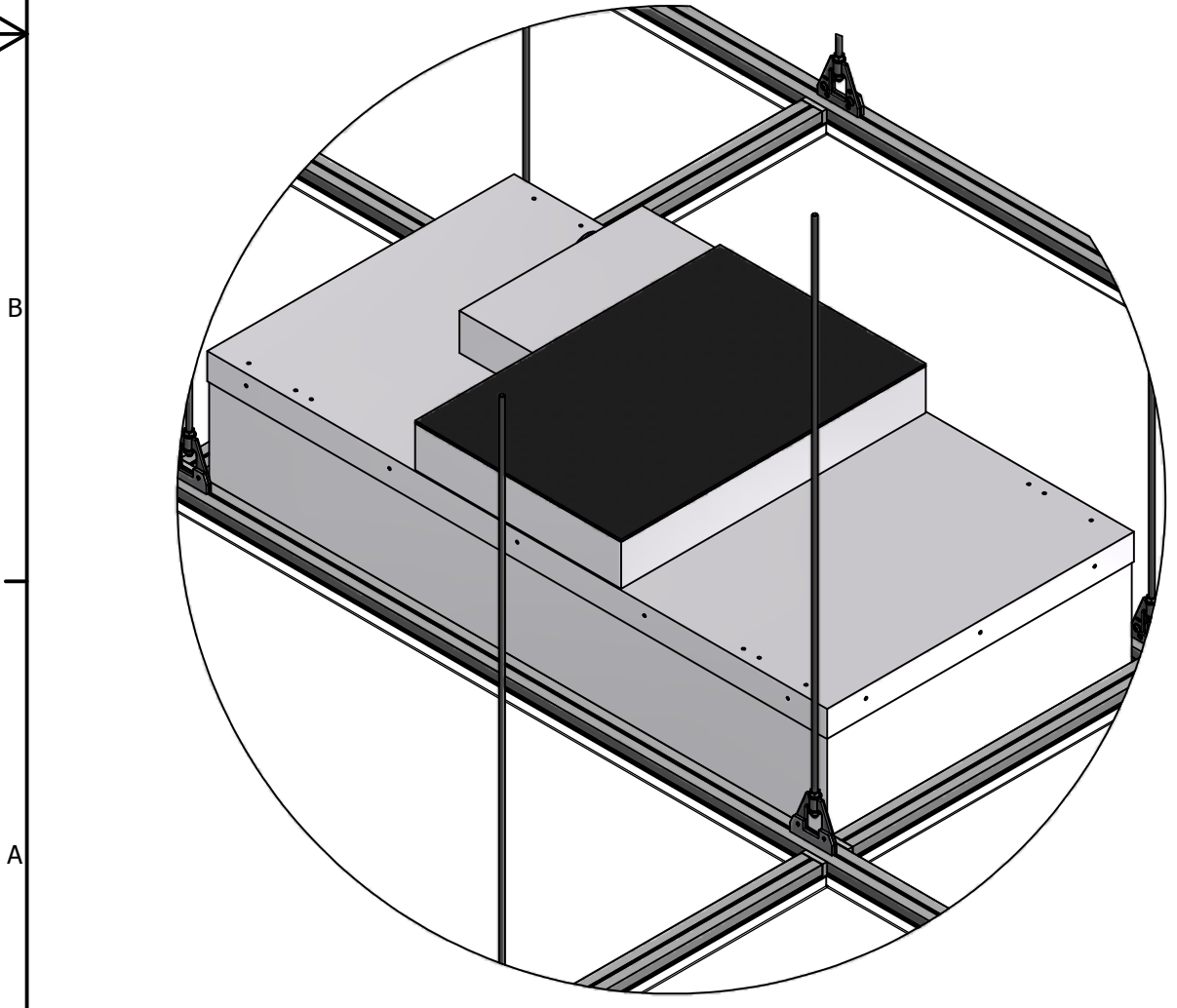
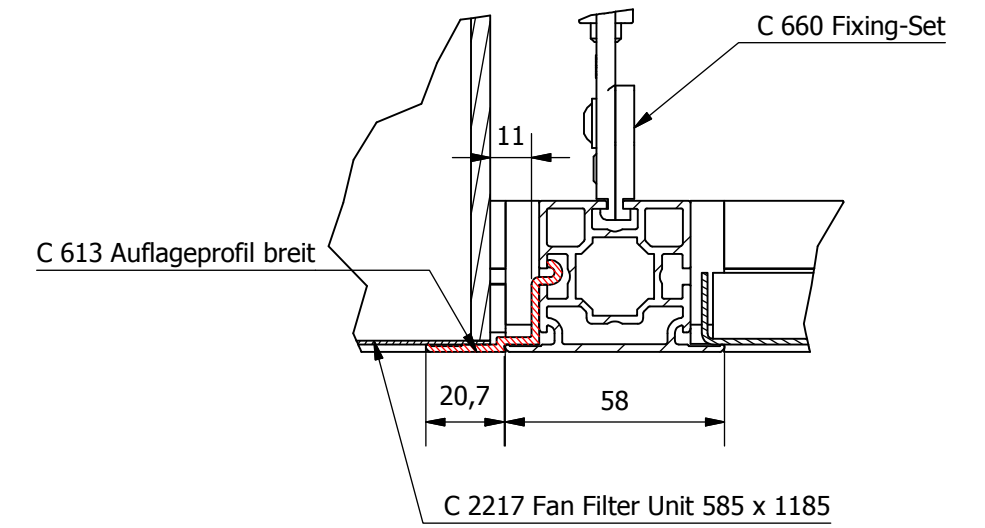
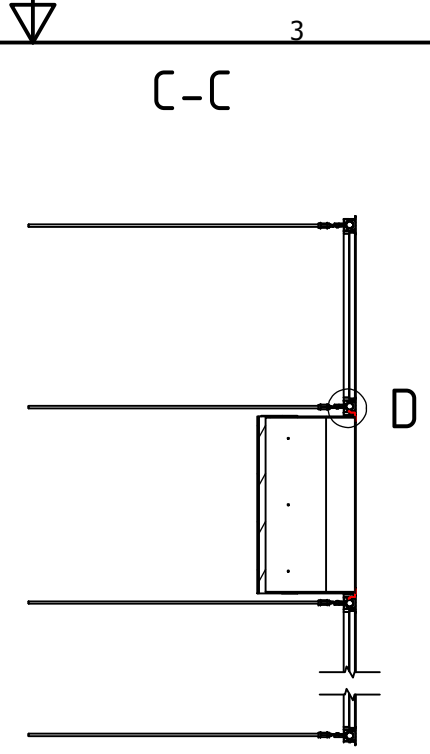
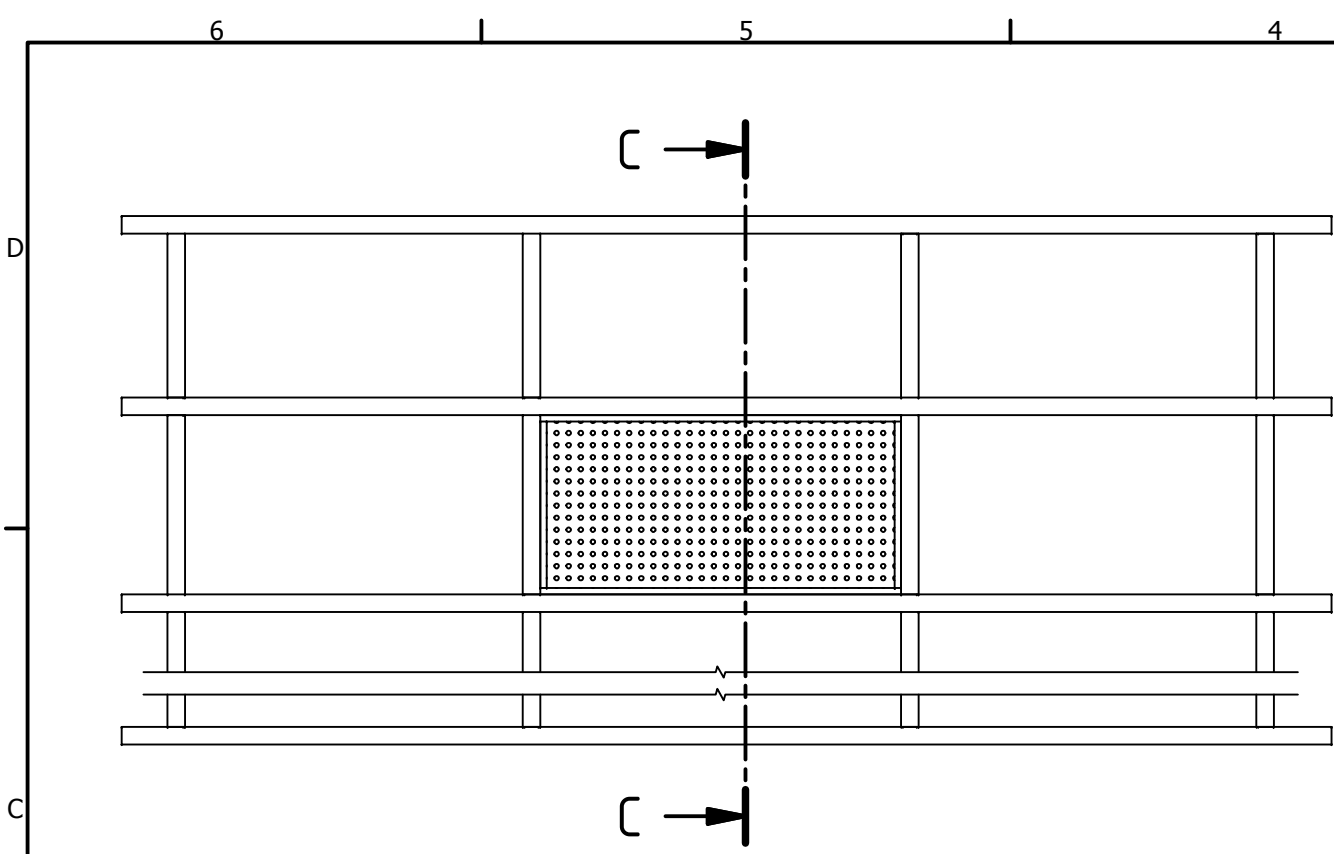



A-A (1 : 2)

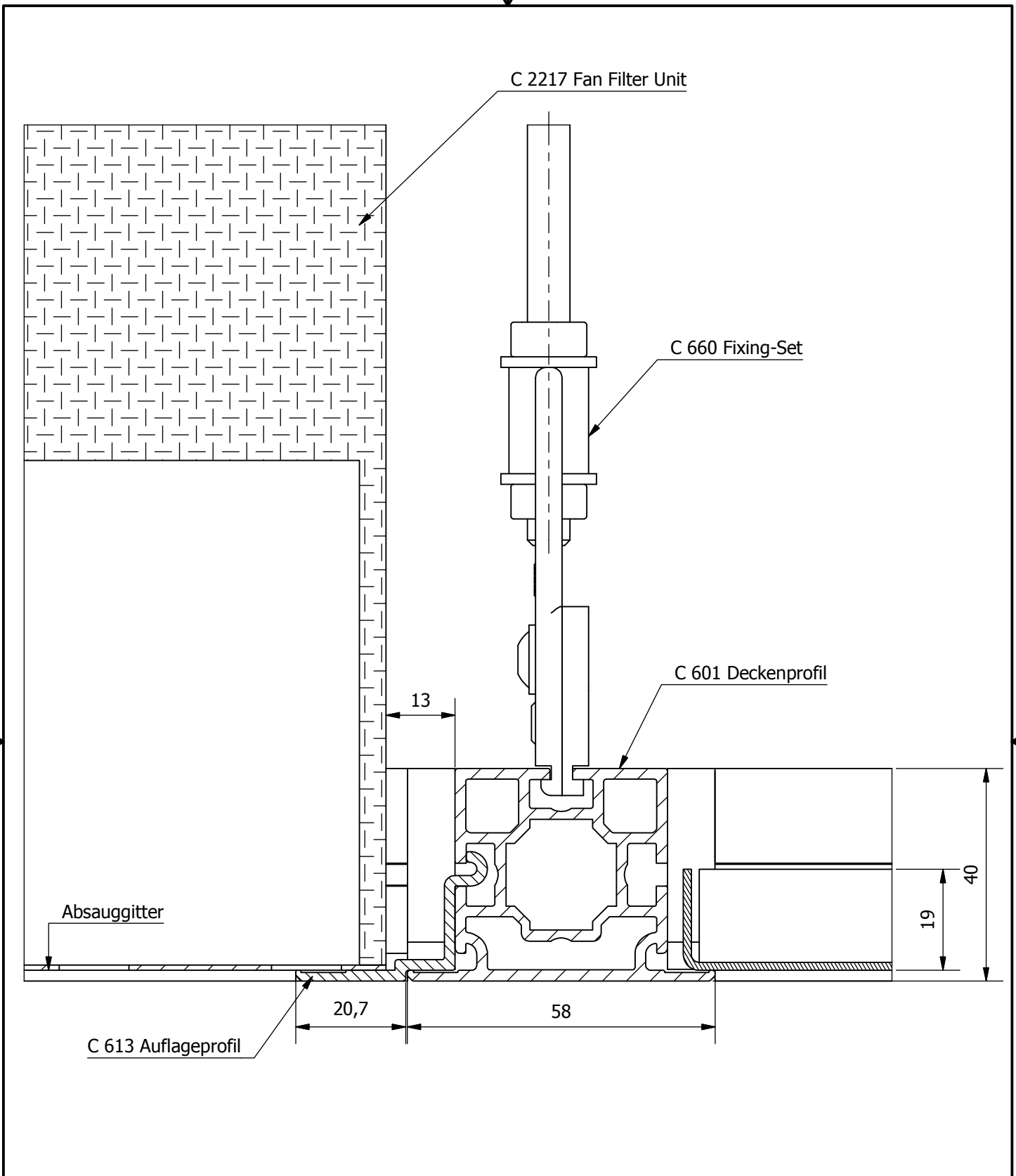



B (1 : 2)

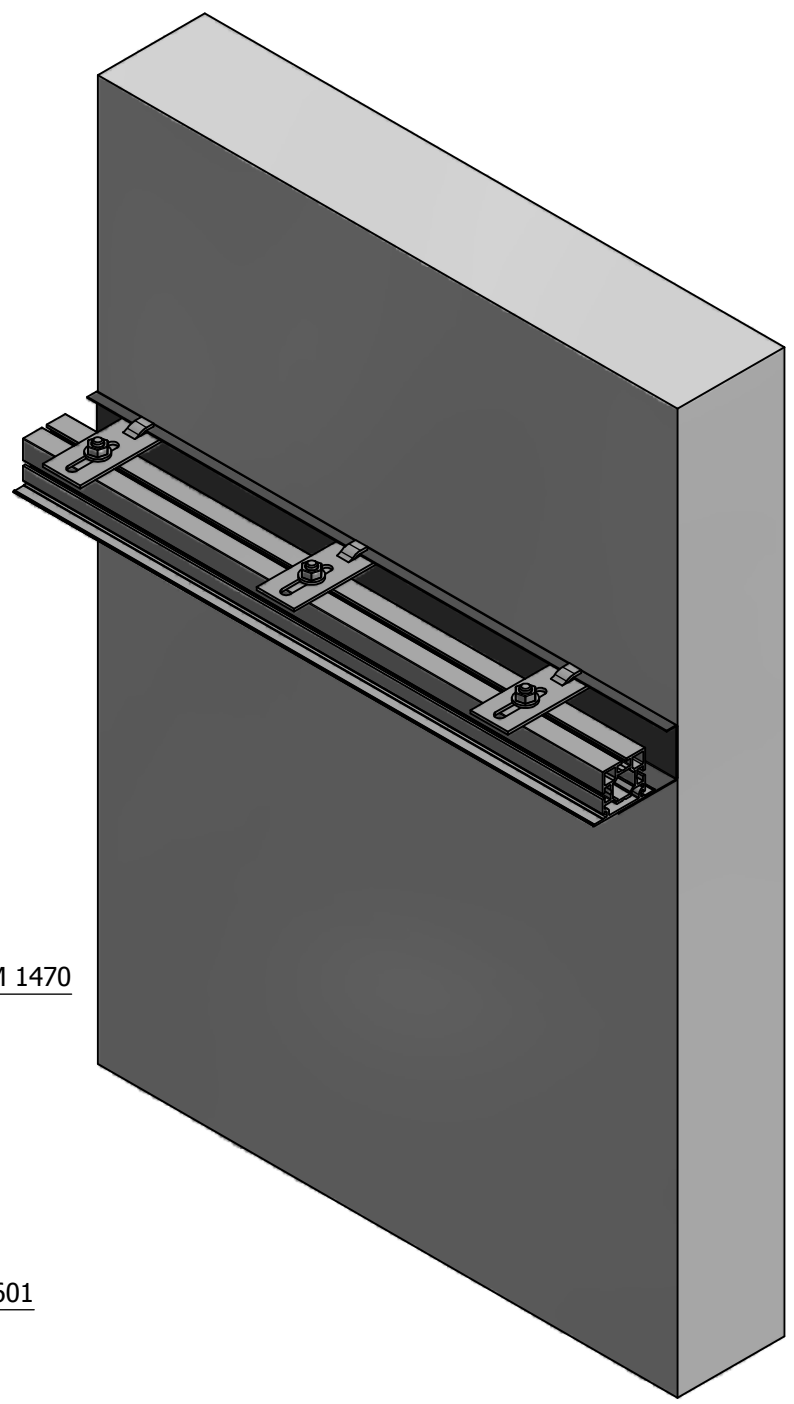
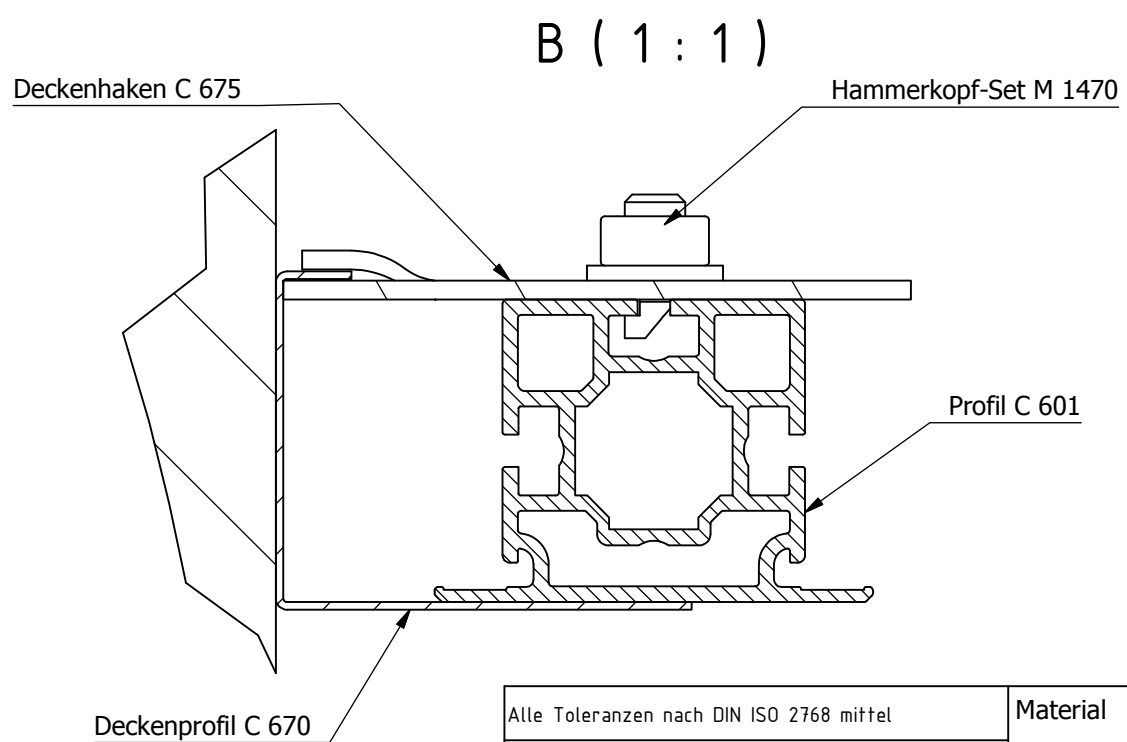
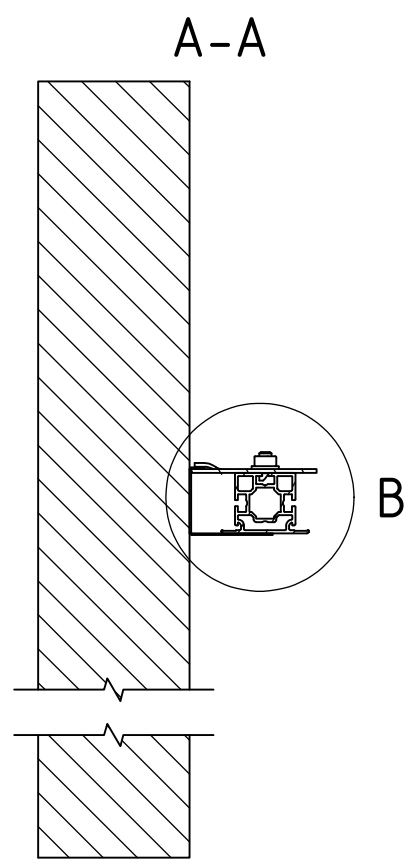
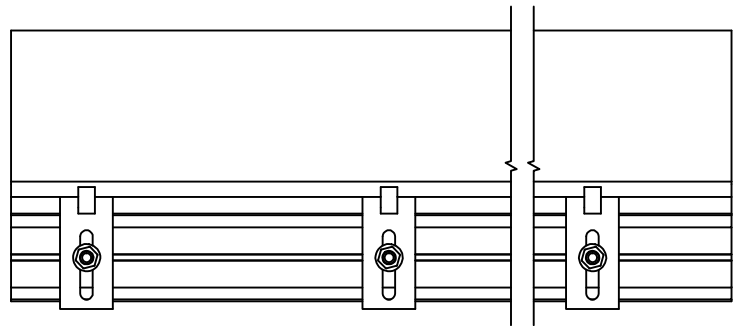
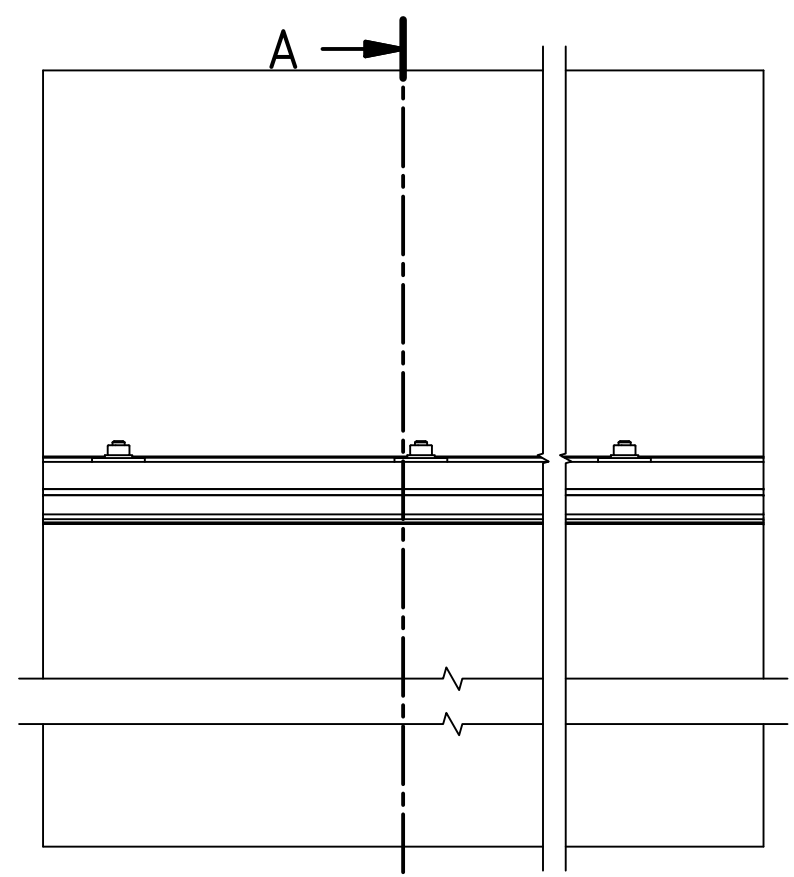
Alle Toleranzen nach DIN ISO 2768 mittel				Material		
This drawing is our literary property and may neither copied nor to be exposed approachable to third persons without our agreement; according to German Copyright Act				Datum	Name	
				Gezeichnet	11.07.2014	jk
				Kontrolliert		
				Norm		
				Projekt Nr.		Bezeichnung: Ceiling system DE 2 with steel panel C 880 Z-Nr:VRS_ED1_10_0000
Status	Änderungen	Datum	Name			1 A3



Alle Toleranzen nach DIN ISO 2768 mittel				Material			
This drawing is our literary property and may neither copied nor to be exposed approachable to third persons without our agreement; according to German Copyright Act							
				Datum	Name	Bezeichnung: Ceiling system with Fan Filter Unit	
				Gezeichnet	14.07.2014		jk
				Kontrolliert			
				Norm			
				Projekt Nr.		Z-Nr:VRS_ED1_40_0001	
Status	Änderungen	Datum	Name			1 A3	



Alle Toleranzen nach DIN ISO 2768 mittel				Material			
This drawing is our literary property and may neither copied nor to be exposed approachable to third persons without our agreement; according to German Copyright Act							
				Datum	Name	Bezeichnung: Einbau FFU in ED1-Decke FFU installation into ED1-ceiling	
				Gezeichnet	14.07.2014		jk
				Kontrolliert			
				Norm			
				Projekt Nr.		Z-Nr: VRS_ED1_41_0001	
							2 A4
Status	Änderungen	Datum	Name				



Alle Toleranzen nach DIN ISO 2768 mittel				Material	
This drawing is our literary property and may neither copied nor to be exposed approachable to third persons without our agreement; according to German Copyright Act					
				Datum	Name
				Gezeichnet 04.07.2014	jk
				Kontrolliert	
				Norm	
				Projekt Nr.	
Status	Änderungen	Datum	Name		

OCTANORM 

Bezeichnung:
Deckenhalter C 670

Z-Nr:VRS_ED1_10_0004

1
A3



TECHNICAL DATA SHEET

CEILING SYSTEM ED1

Ceiling system with inlaid ceiling panels
Grid ceiling

Surface of
beam / extrusion

Aluminium,
anodized, E6 EV1

Lighting

Yes

Filling

None

Panels

Steel sheet cassette,
Aluminium composite panel

Walkable

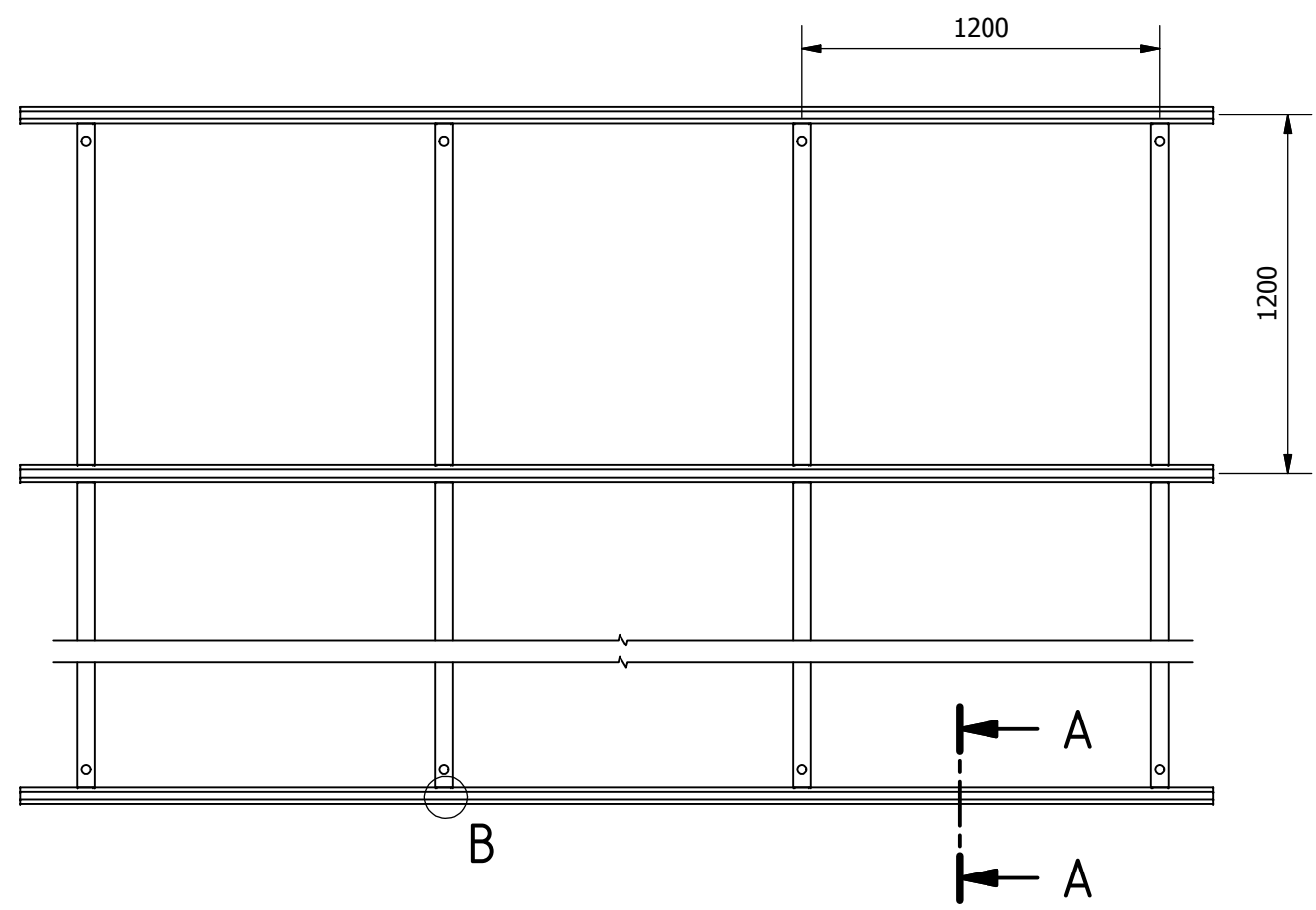
Yes

Standard grid

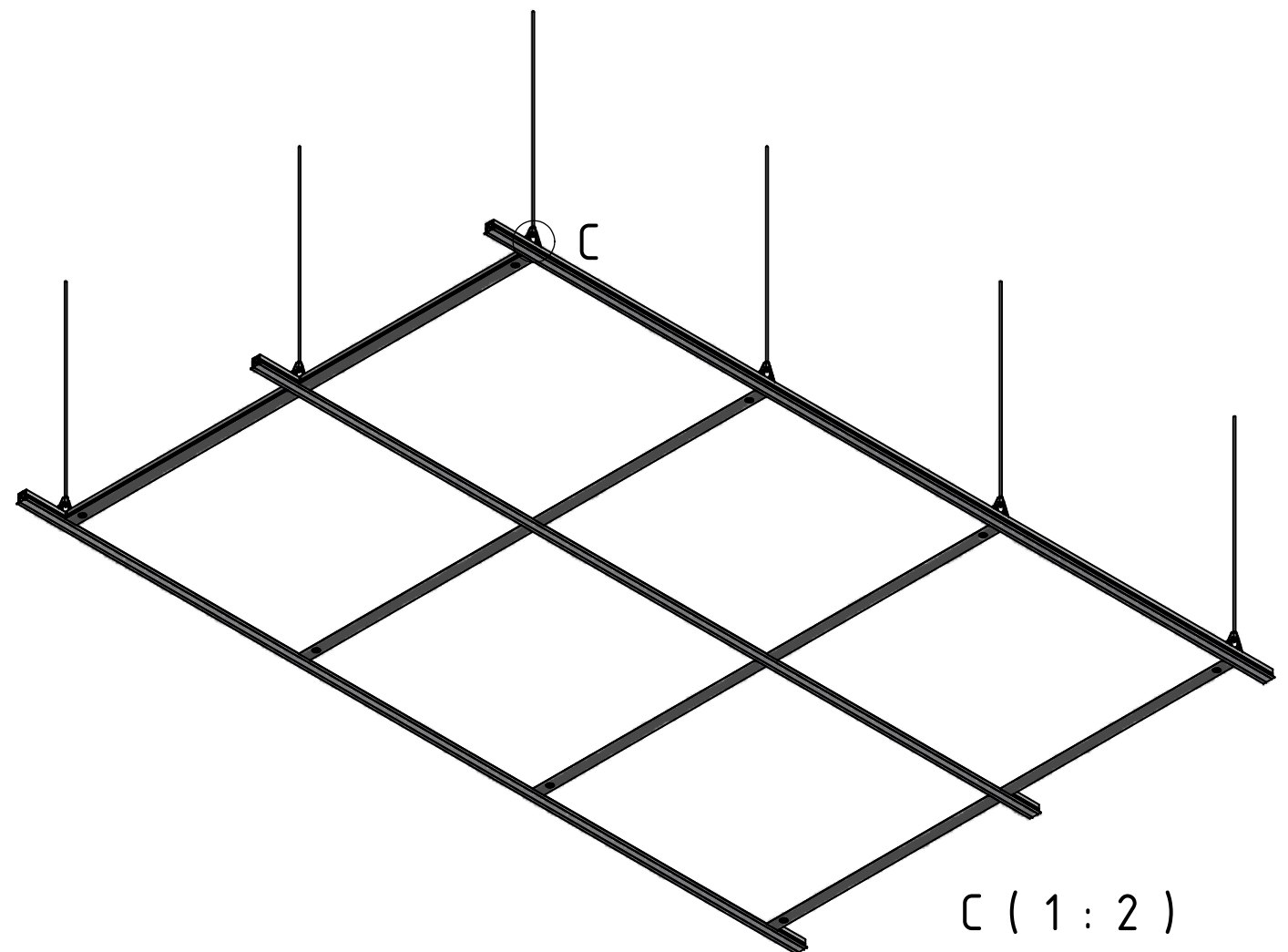
600 × 1200 mm or 1200 × 1200 mm

Standard color

RAL 9010

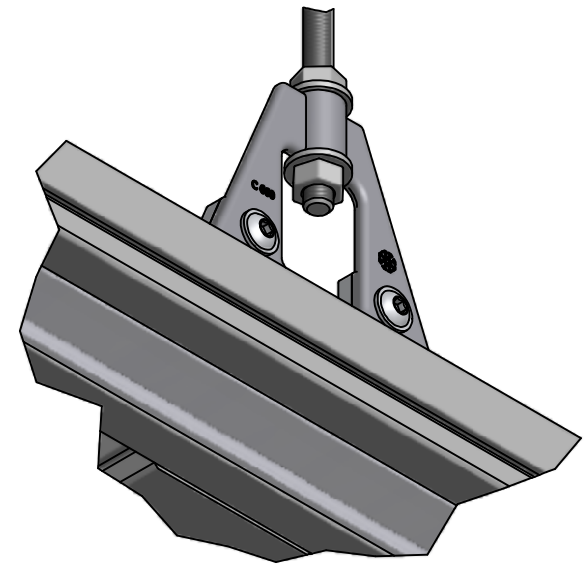
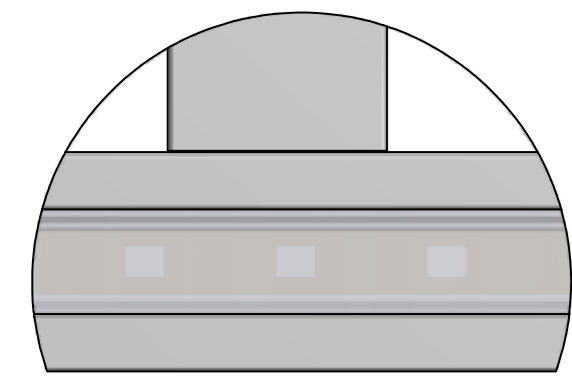
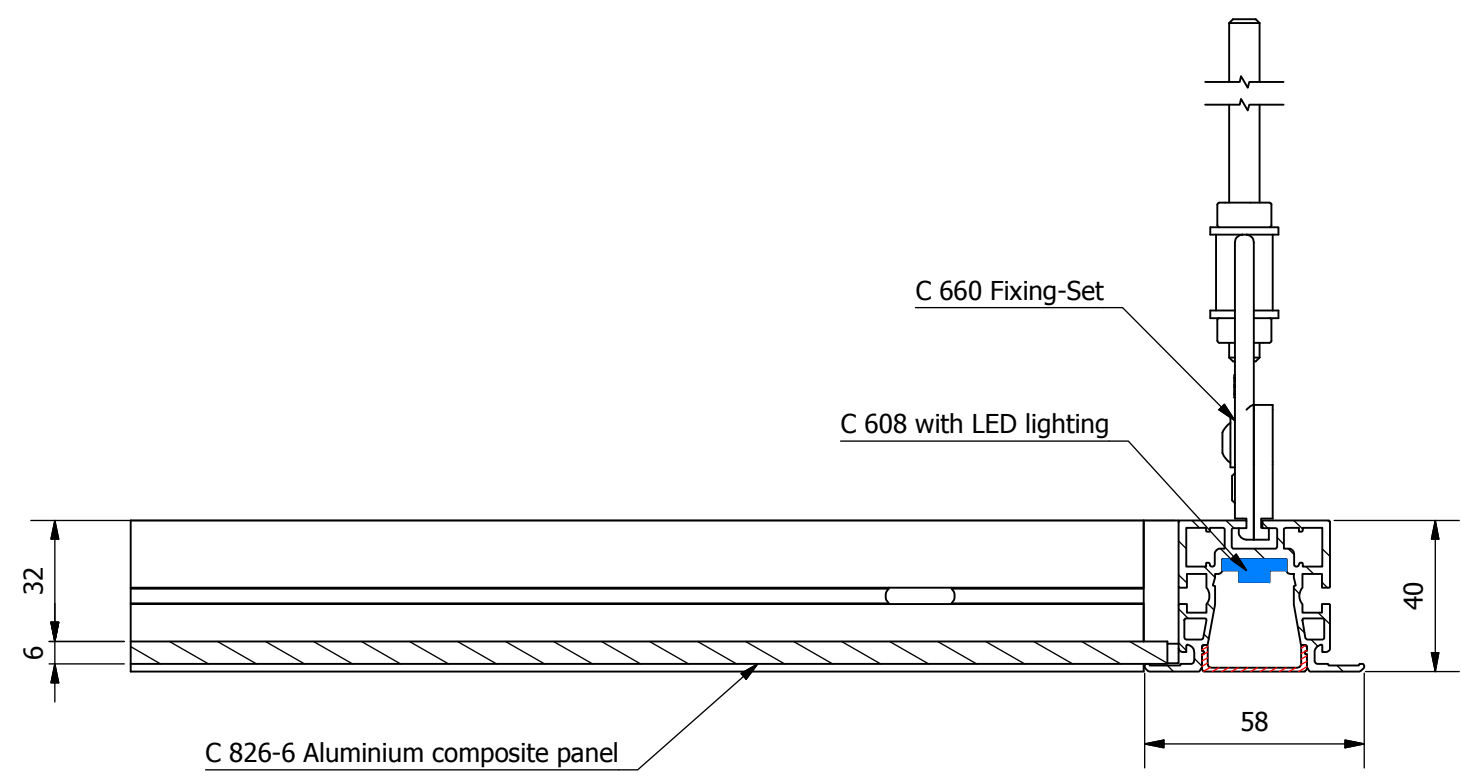


A-A (1 : 2)



B (1 : 2)

C (1 : 2)



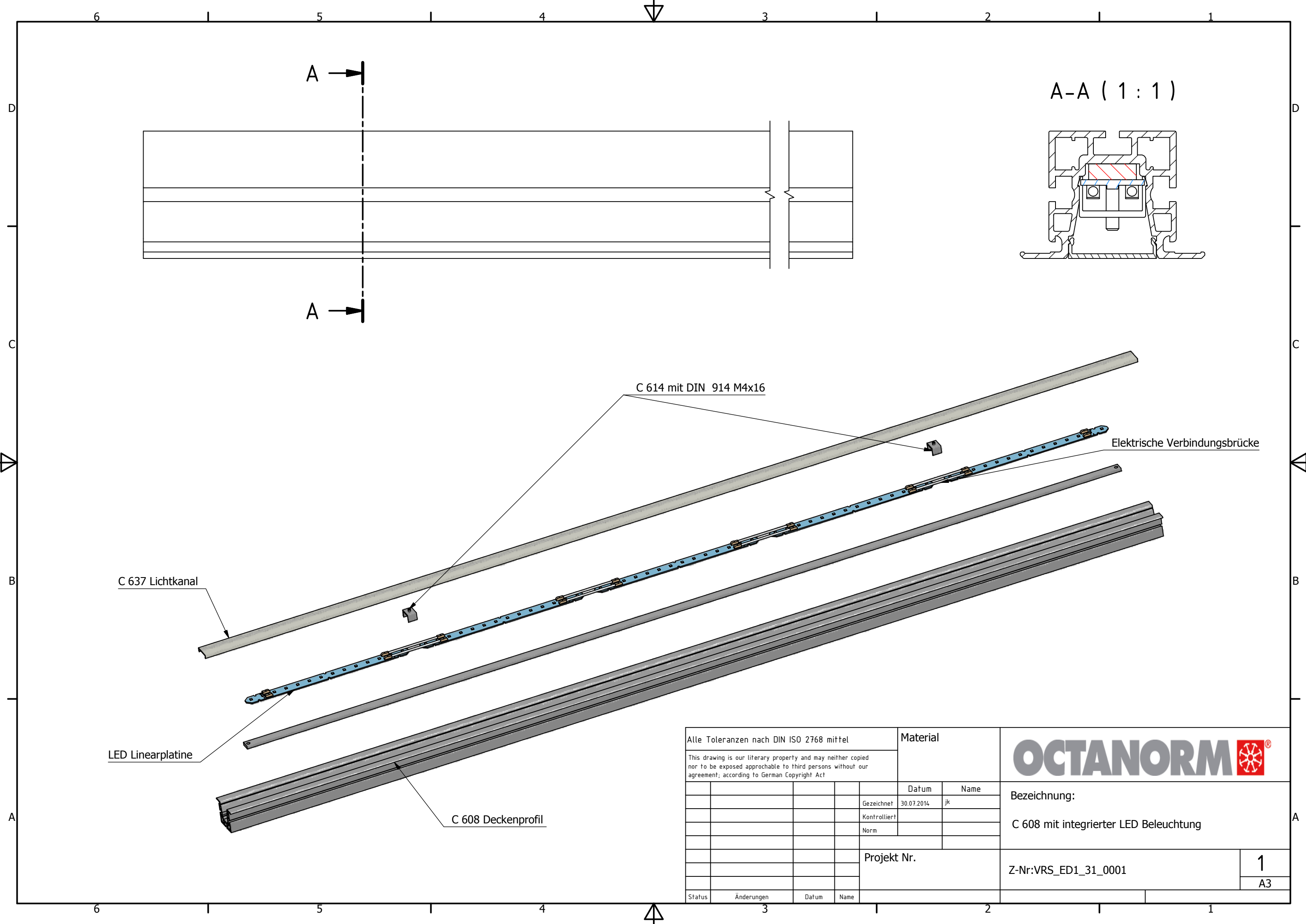
Alle Toleranzen nach DIN ISO 2768 mittel				Material	
This drawing is our literary property and may neither copied nor to be exposed approachable to third persons without our agreement; according to German Copyright Act				Datum	
				Gezeichnet	14.07.2014
				Kontrolliert	jk
				Norm	
				Projekt Nr.	
Status	Änderungen	Datum	Name		



Bezeichnung:
Ceiling system DE 2 with LED lighting and aluminium composite panel

Z-Nr:VRS_ED1_30_0000

1
A3



A-A (1 : 1)

C 614 mit DIN 914 M4x16

Elektrische Verbindungsbrücke

C 637 Lichtkanal

LED Linearplatine

C 608 Deckenprofil

Alle Toleranzen nach DIN ISO 2768 mittel
 This drawing is our literary property and may neither copied nor to be exposed approachable to third persons without our agreement; according to German Copyright Act

Material

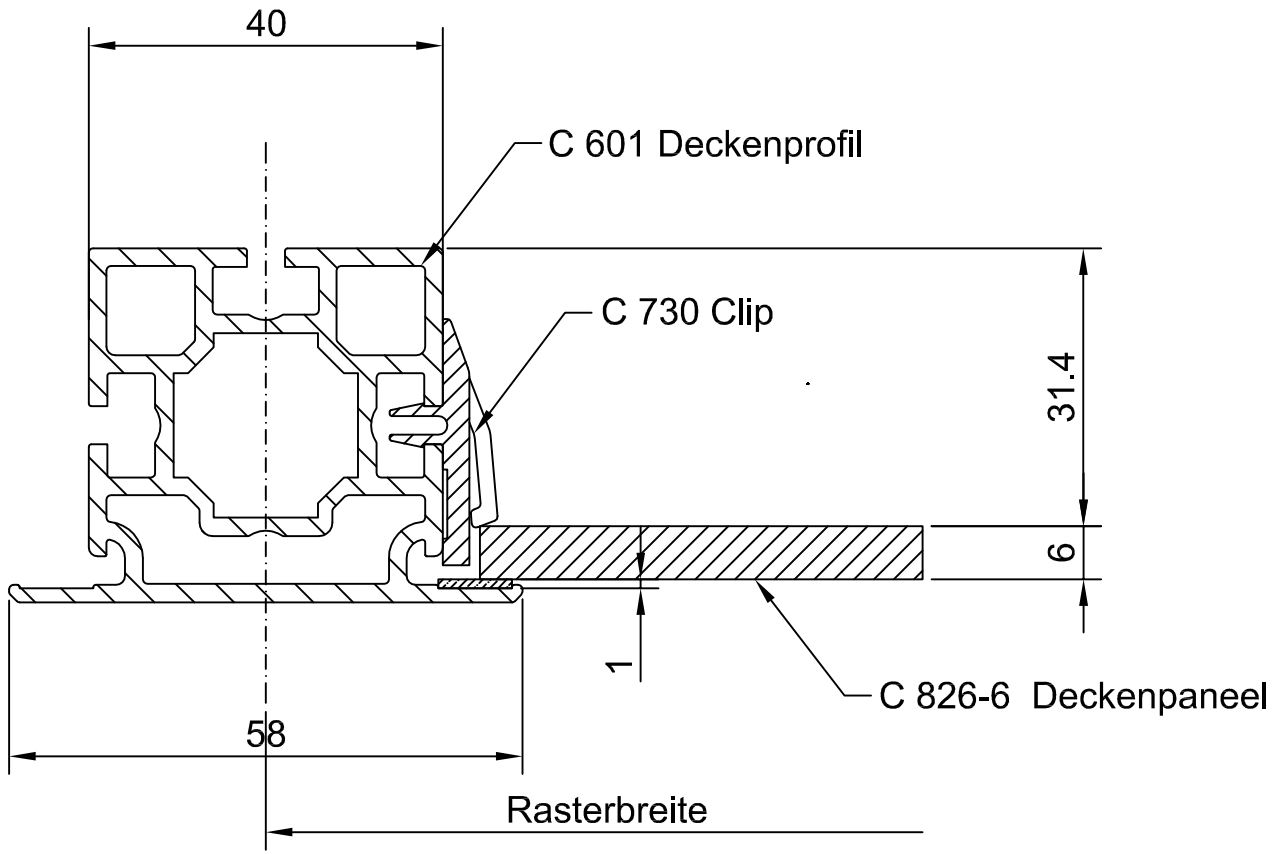


Status	Änderungen	Datum	Name	Datum	Name

Bezeichnung:
 C 608 mit integrierter LED Beleuchtung

Z-Nr:VRS_ED1_31_0001

1
 A3



Alle Toleranzen nach DIN ISO 2768 mittel

This drawing is our literary property and may neither copied nor to be exposed approachable to third persons without our agreement; according to German Copyright Act

Material



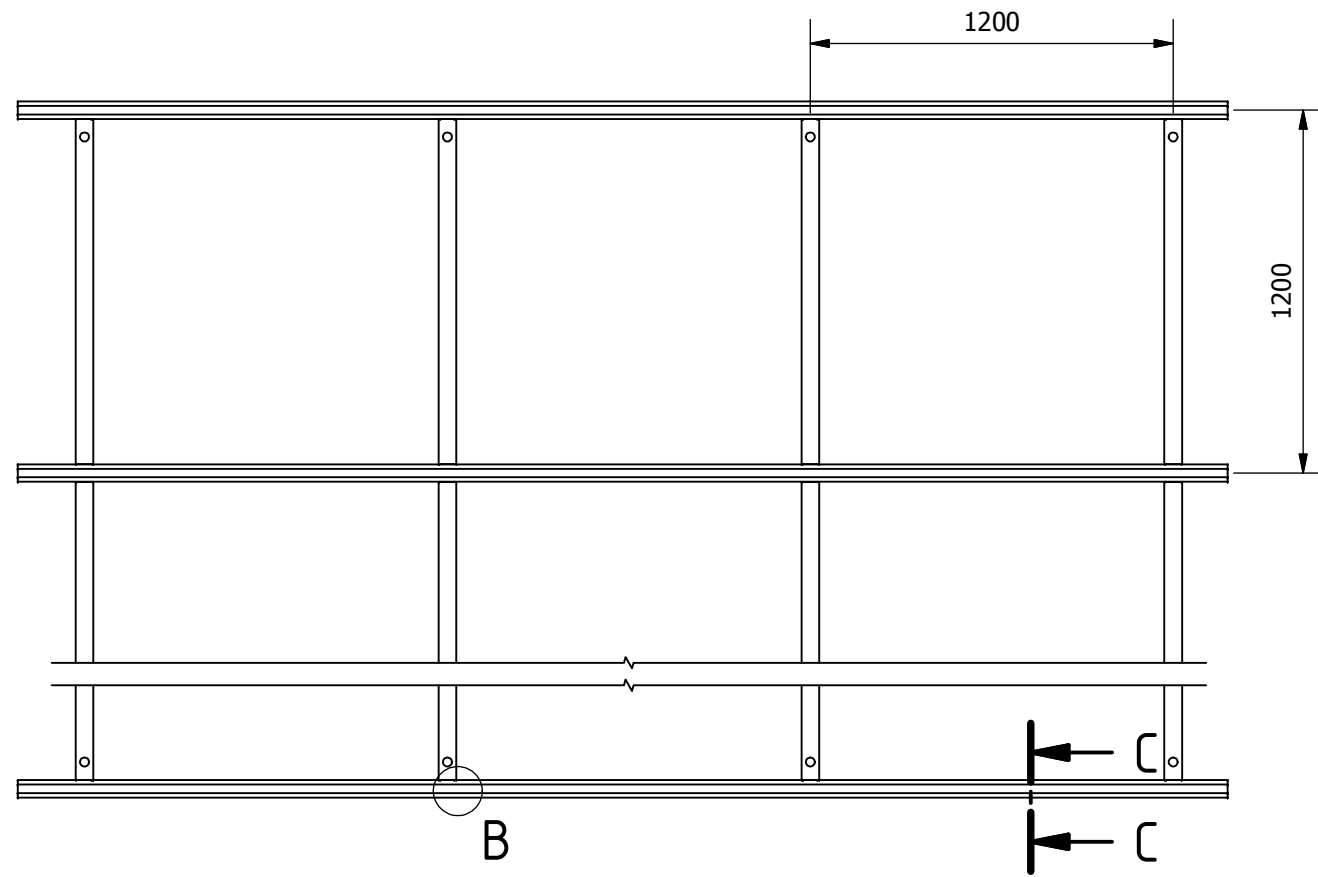
				Datum	Name
				Gezeichnet 07.10.2014	jk
				Kontrolliert	
				Norm	

Bezeichnung:
Einbau C 826-6 in ED1-Decke
Installation C 826-6 in ED1-ceiling

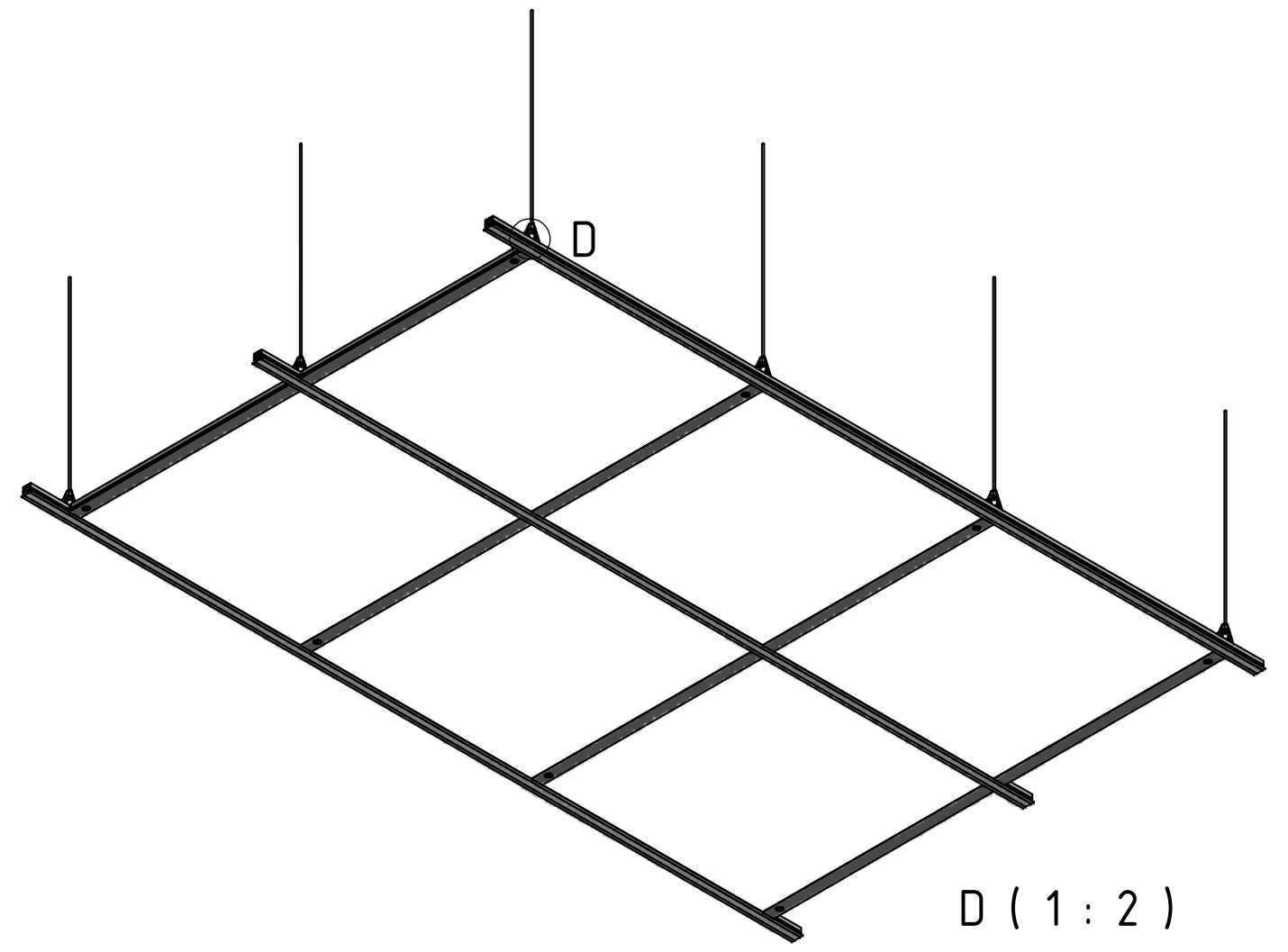
				Projekt Nr.	
Status	Änderungen	Datum	Name		

Z-Nr: VRS_ED1_21_0001

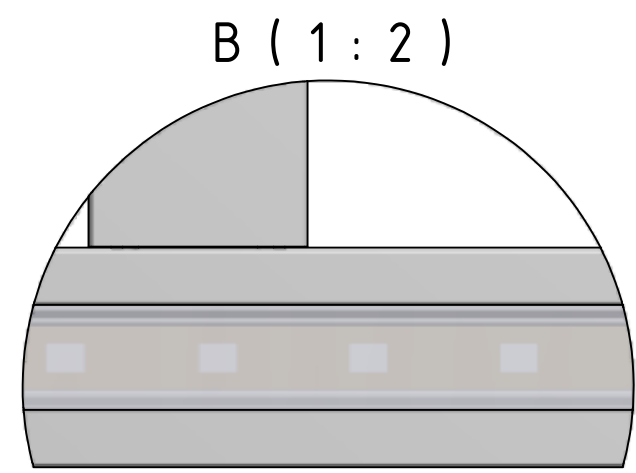
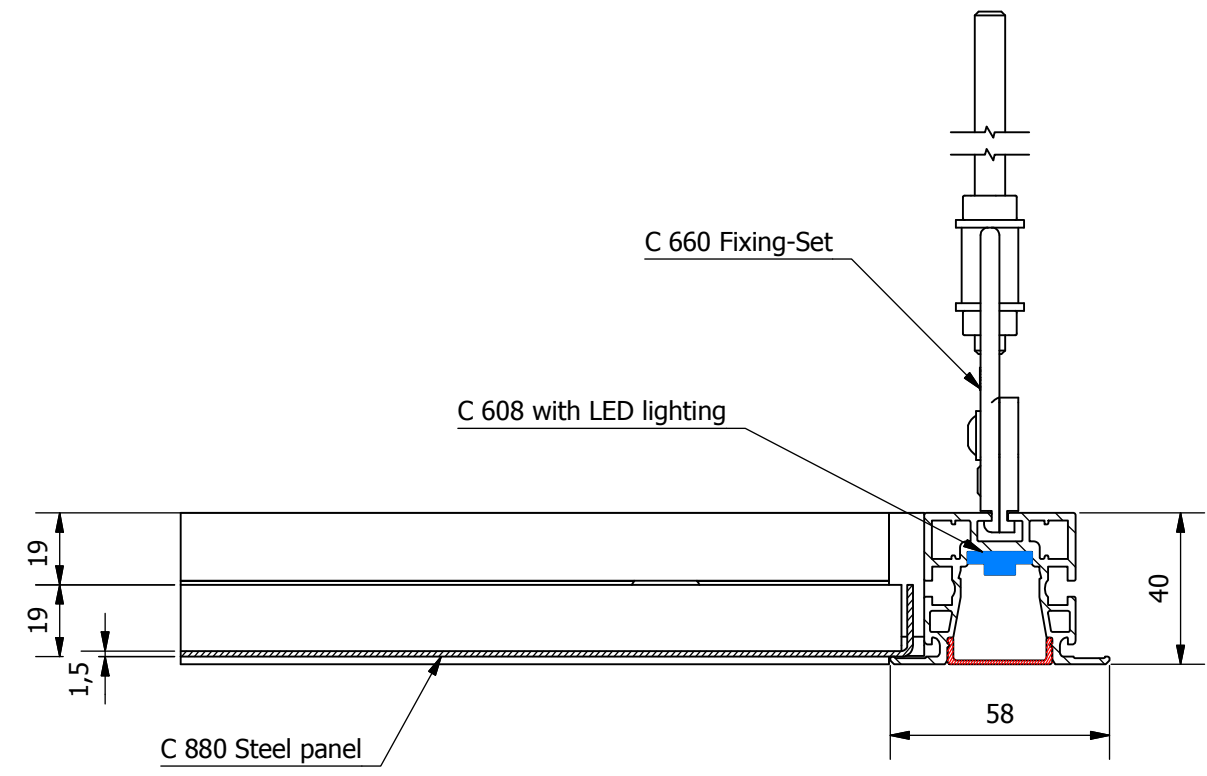
1
A4



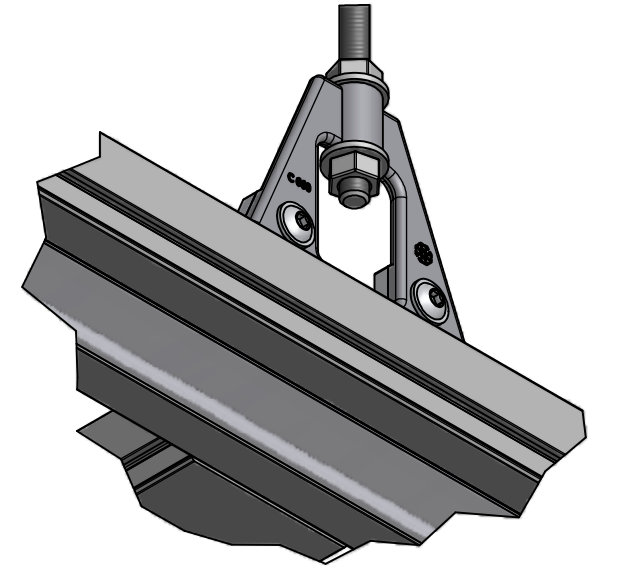
C-C 1 : 2




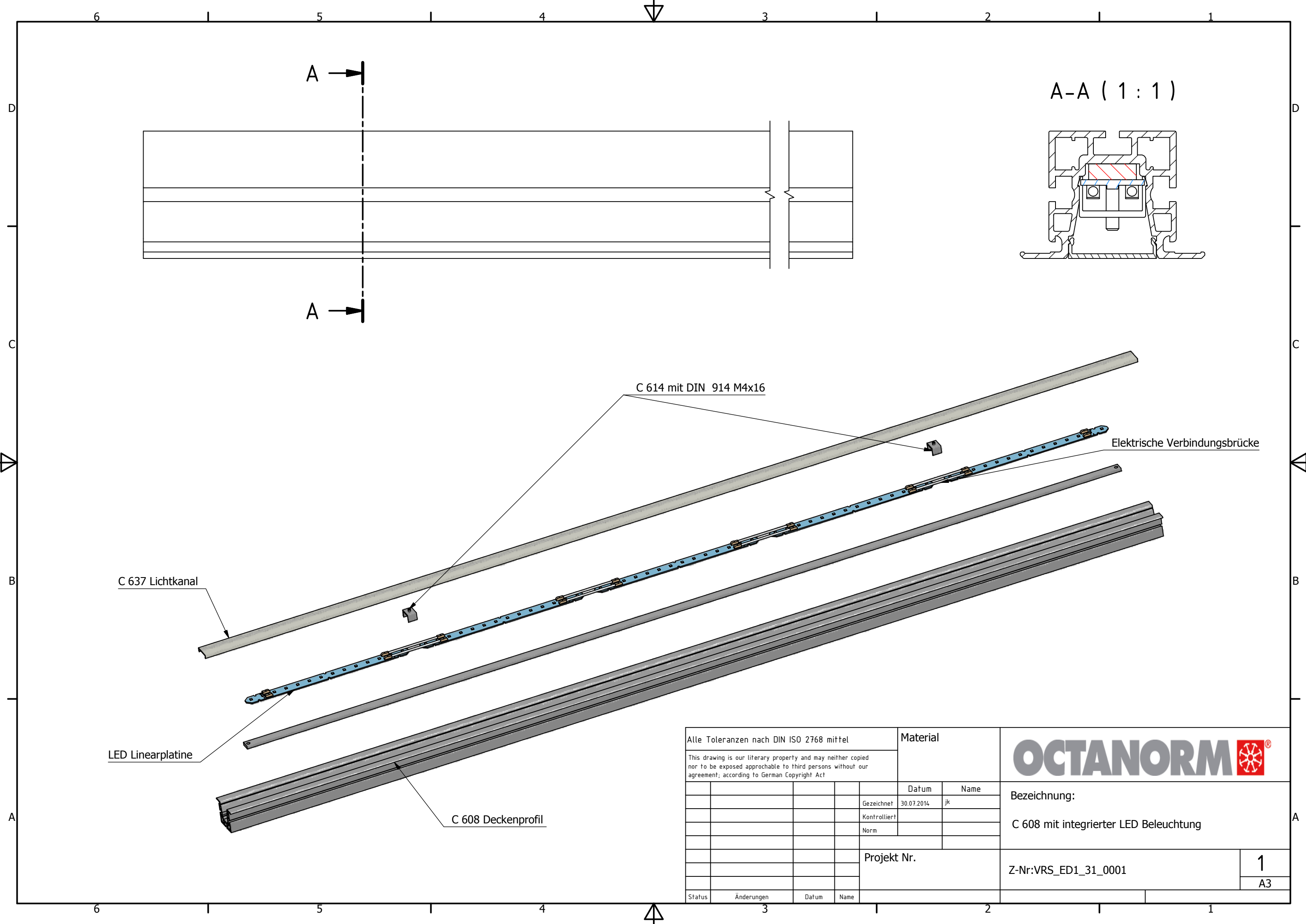
D (1 : 2)



B (1 : 2)



Alle Toleranzen nach DIN ISO 2768 mittel				Material		
This drawing is our literary property and may neither copied nor to be exposed approachable to third persons without our agreement; according to German Copyright Act				Datum	Name	
				Gezeichnet	14.07.2014	jk
				Kontrolliert		
				Norm		
				Projekt Nr.		Bezeichnung: Ceiling system DE 2 with LED lighting and steel panel C 880
Status	Änderungen	Datum	Name			Z-Nr:VRS_ED1_30_0003
						1
						A3



A-A (1 : 1)

C 614 mit DIN 914 M4x16

Elektrische Verbindungsbrücke

C 637 Lichtkanal

LED Linearplatine

C 608 Deckenprofil

Alle Toleranzen nach DIN ISO 2768 mittel
 This drawing is our literary property and may neither copied nor to be exposed approachable to third persons without our agreement; according to German Copyright Act

Material

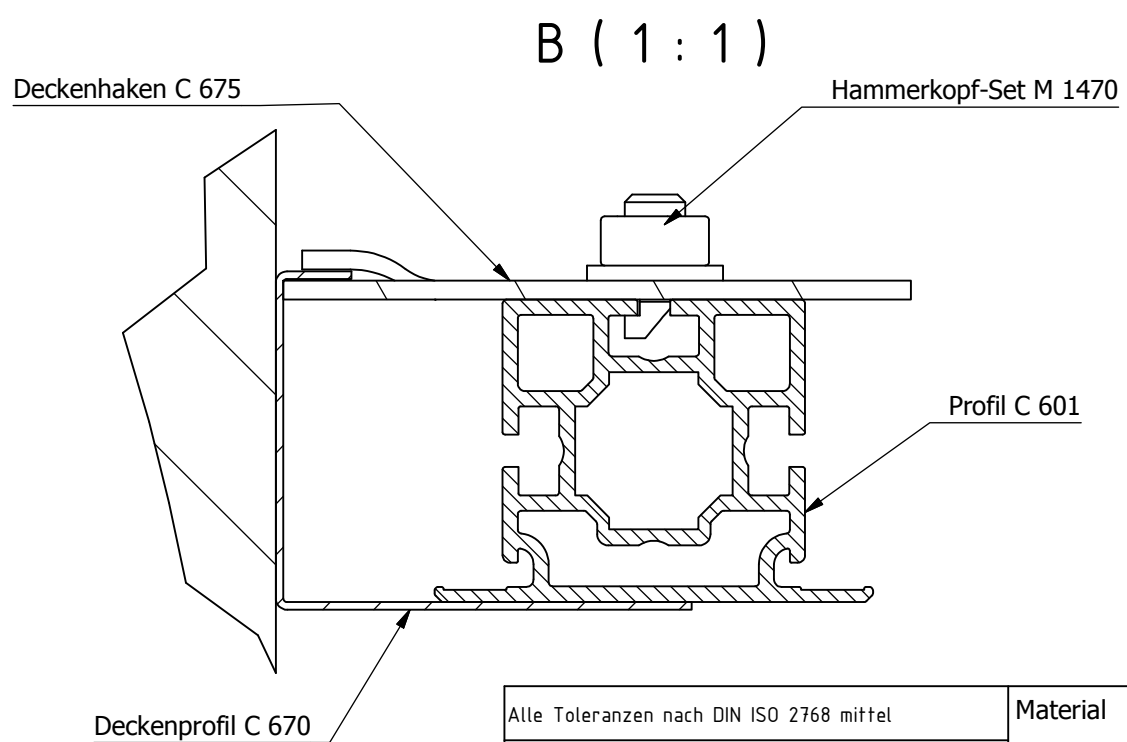
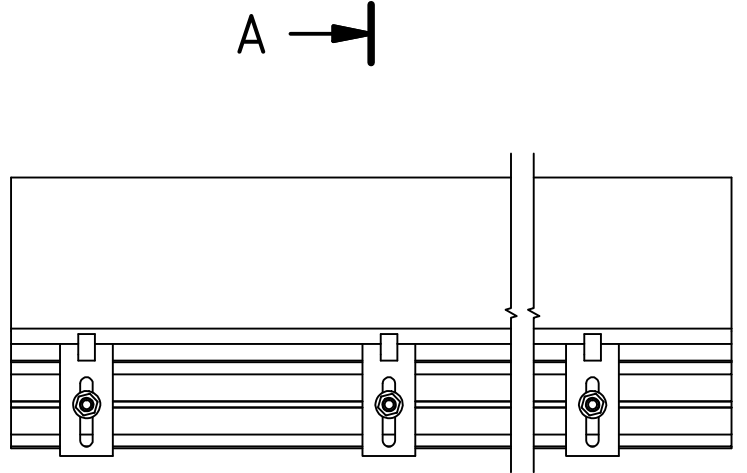
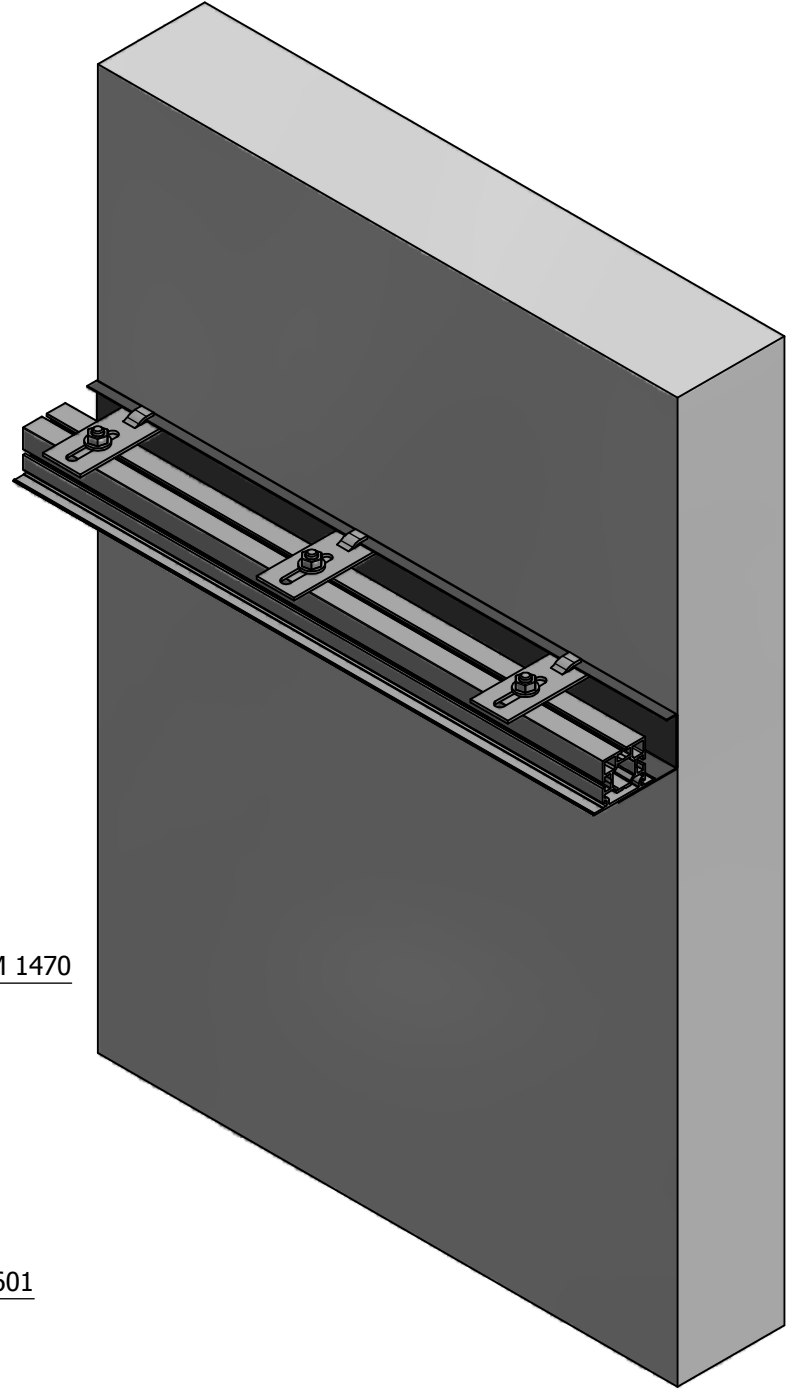
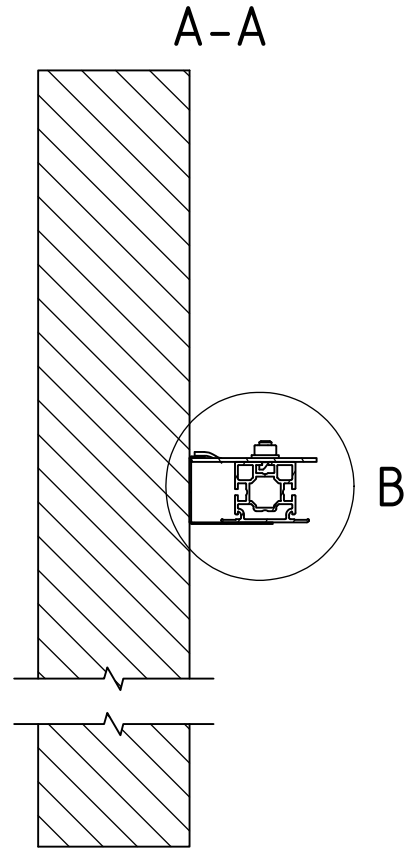
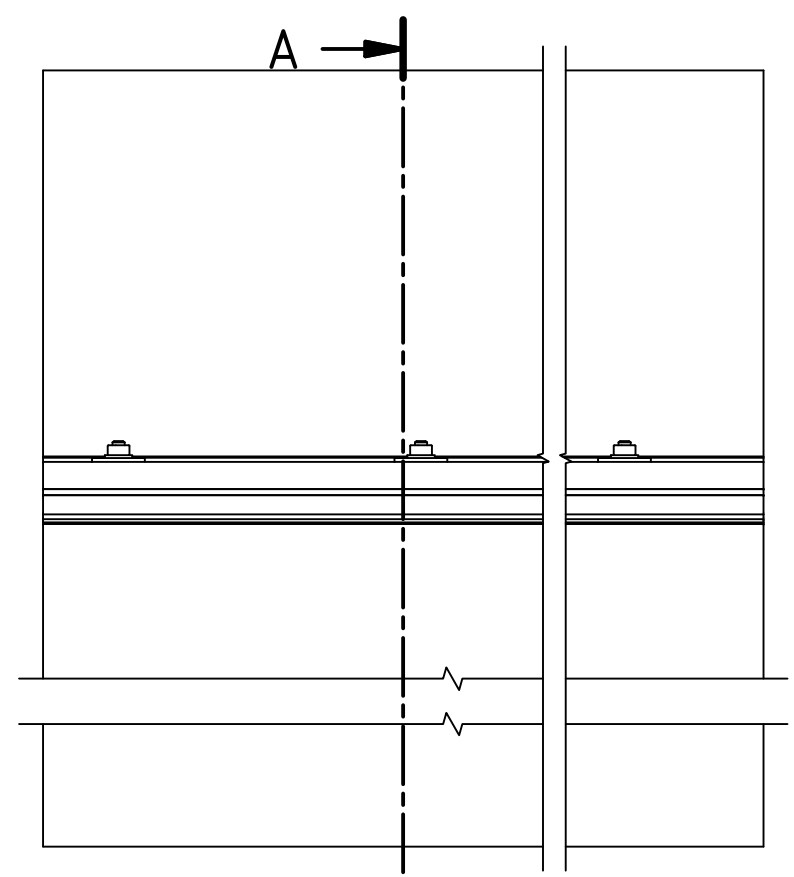


Status	Änderungen	Datum	Name	Datum	Name

Bezeichnung:
 C 608 mit integrierter LED Beleuchtung

Z-Nr:VRS_ED1_31_0001

1
 A3



Alle Toleranzen nach DIN ISO 2768 mittel				Material	
This drawing is our literary property and may neither copied nor to be exposed approachable to third persons without our agreement; according to German Copyright Act					
				Datum	Name
				Gezeichnet 04.07.2014	jk
				Kontrolliert	
				Norm	
				Projekt Nr.	
Status	Änderungen	Datum	Name		

OCTANORM 

Bezeichnung:
Deckenhalter C 670

Z-Nr:VRS_ED1_10_0004

1
A3